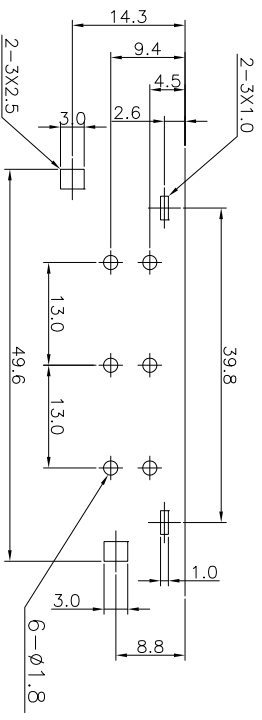
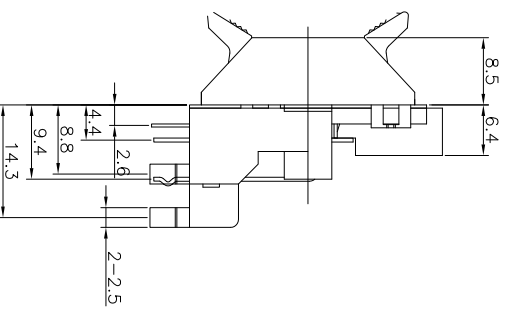
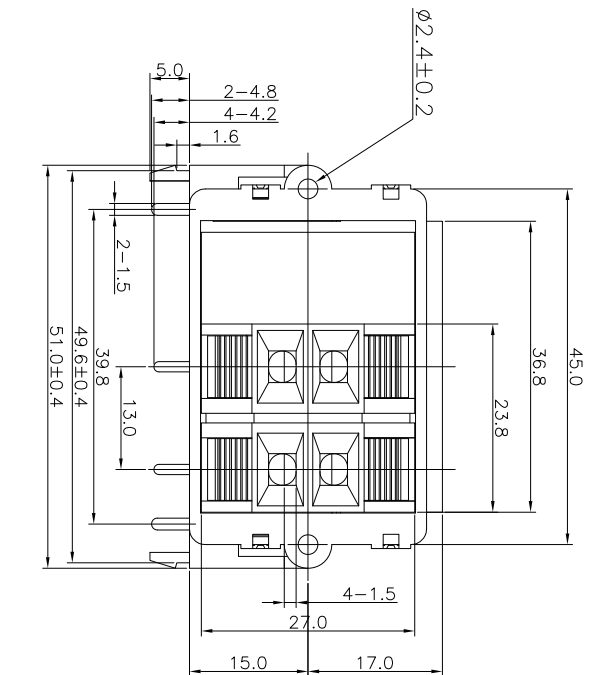
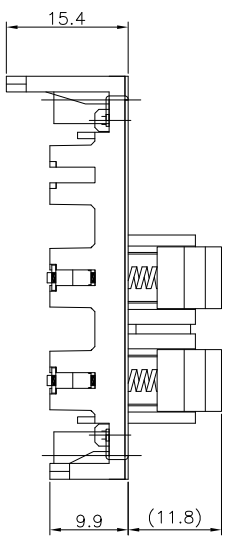


REV.	ECN NO.	MODIFIED MARK	APPROVED
A		FIRST RELEASE	


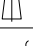


PCB LAYOUT
TOP VIEW



NOTES:
ELECTRICAL:
1: RATED CURRENT: 3A Max.
2: RATED VOLTAGE: 50V AC.
3: INSULATION RESISTANCE: 100 MEGAOHMS Min.
4: DIELECTRIC WITHSTANDING VOLTAGE: 1200 VAC Min.

MECHANICAL:
1: WIRE IN HOLD FORCE 5N (20#WIRE) MIN
2: INSPECTED VOLTAGE, AT THE SPEED OF 6-10S PER MINUTES, THE SAMPLES ARE INSPECTED 10000 CYCLES, BUT THERE ARE NO DAMAGE ON THE PRESSURE AND THE RISING TEMPERATURE, ETC.3: APPLY 2kgf FORCE AT ANY DIRECTION, THERE NO LOOSE & NO CRACK

ANGLE	±5°	MODEL NAME: WP4-31 (PART NO.)	 广东正宝科技有限公司 GUANGDONG TRENPRO TECHNOLOGY CO. LTD.
63 < L	±0.5	MAT'L: See table	
16 < L ≤ 63	±0.4	FINISH: See table	TITLE: WP PUSH TERMINAL DWG NO.: REV.: A
4 < L ≤ 16	±0.3	CHECKED: L.W.Wu 11/06'18	
L ≤ 4	±0.2	DESIGN: X.H.Wang 11/06'18	UNIT: mm VIEW:  SCALE: 5:1 SHEET: 1/1 SIZE: A3
TOL TABLE:		Q'TY: /	APPROVED: X.Q.Hu 11/06'18 DATE: 11/06'18
THIS DOCUMENT IS THE PROPERTY OF TRENPRO TECHNOLOGY CO. LTD. NO PART THEREOF MAY BE REPRODUCED AND USED WITHOUT THE PRIOR WRITTEN CONSENT OF THE OWNER			