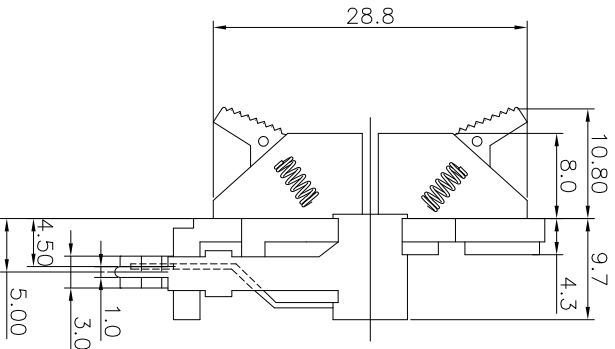


PCB LAYOUT  
TOP VIEW



NOTES:  
ELECTRICAL:  
1:RATED CURRENT: 3A Max.  
2:RATED VOLTAGE: 50V AC.  
3:INSULATION RESISTANCE: 100 MEGAOHMS Min.  
4:DIELECTRIC WITHSTANDING VOLTAGE: 1200 VAC Min.  
MECHANICAL:  
1:WIRE IN HOLD FORCE 5N (20#WIRE) MIN  
2:INSPECTED VOLTAGE, AT THE SPEED OF 6-10S PER MINUTES, THE SAMPLES ARE INSPECTED 10000 CYCLES, BUT THERE ARE NO DAMAGE ON THE PRESSURE AND THE RISING TEMPERATURE, ETC.3:APPLY 2kgf FORCE AT ANY DIRECTION , THERE NO LOOSE & NO CRACK

REV.	ECN NO.	MODIFIED MARK	APPROVED
A		FIRST RELEASE	

ANGLE	±5°
63 < L	±0.5
16 < L ≤ 63	±0.4
4 < L ≤ 16	±0.3
L ≤ 4	±0.2

TOL TABLE:  
THIS DOCUMENT IS THE PROPERTY OF  
TERPRO TECHNOLOGY CO., LTD.,NO PART  
HEREOF MAY BE REPRODUCED AND  
USED WITHOUT THE PRIOR WRITTEN  
CONSENT OF THE OWNER

MODEL NAME: WP4-14E (PART NO.)	DESIGN: X.H.Wang 11/06'18	TITLE: WP PUSH TERMINAL
FINISH: See table	CHECKED: L.W.Wu 11/06'18	DWG NO.:
QTY: /	APPROVED: X.Q.Hu 11/06'18	UNIT: mm
		VIEW:
		SCALE: 5:1
		SHEET: 1/1
		SIZE: A3



广东正宝科技有限公司  
GUANGDONG TERPRO TECHNOLOGY CO., LTD.