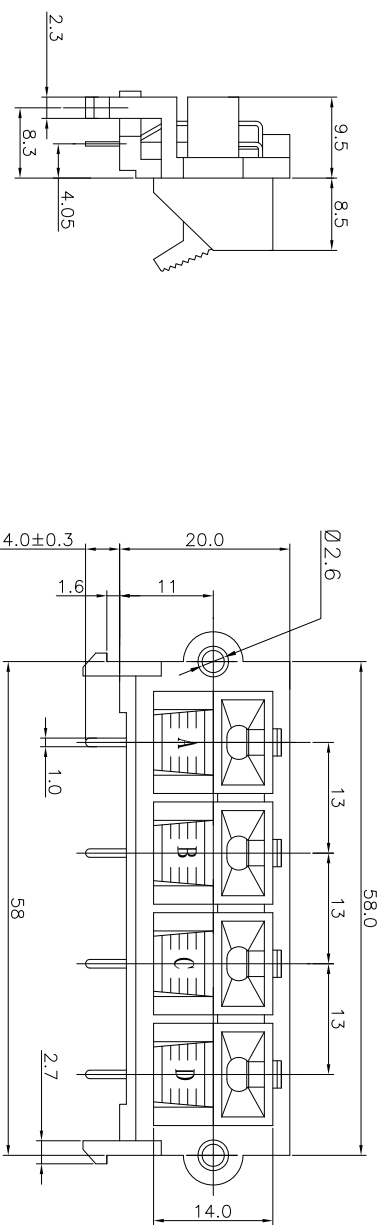
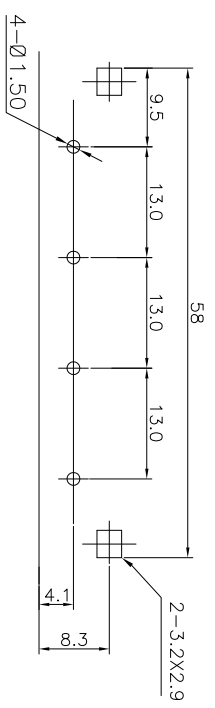



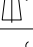
REV.	ECON NO.	MODIFIED MARK	APPROVED
A	—	FIRST RELEASE	



NOTES:
ELECTRICAL:
1:RATED CURRENT: 3A Max.
2:RATED VOLTAGE: 50V AC.
3:INSULATION RESISTANCE: 100 MEGAOHMS Min.
4:DIELECTRIC WITHSTANDING VOLTAGE: 1200 VAC Min.
MECHANICAL:
1:WIRE IN HOLD FORCE 5N (20#WIRE) MIN
2:INSPECTED VOLTAGE, AT THE SPEED OF 6-10S PER MINUTES, THE SAMPLES ARE INSPECTED 10000 CYCLES, BUT THERE ARE NO DAMAGE ON THE PRESSURE AND THE RISING TEMPERATURE, ETC.3:APPLY 2kgf FORCE AT ANY DIRECTION , THERE NO LOOSE & NO CRACK



PCB LAYOUT
TOP VIEW

ANGLE	±5°	MODEL NAME: WP4-13		 广东正宝科技有限公司 GUANGDONG TRENPRO TECHNOLOGY CO. LTD.	
63 < L	±0.5	(PART NO.)			
16 < L ≤ 63	±0.4	MAT'L:	DESIGN: X.H.Wang 11/06'18	TITLE: WP PUSH TERMINAL	
4 < L ≤ 16	±0.3	FINISH:	CHECKED: L.W.Wu 11/06'18	DWG NO.:	
L ≤ 4	±0.2	Q'TY: /	APPROVED: X.Q.Hu 11/06'18	UNIT: mm	
TOL TABLE:		See table		VIEW: 	SCALE: 5:1
THIS DOCUMENT IS THE PROPERTY OF TRENPRO TECHNOLOGY CO. LTD. NO PART THEREOF MAY BE REPRODUCED AND USED WITHOUT THE PRIOR WRITTEN CONSENT OF THE OWNER		See table		SHEET: 1/1	SIZE: A3