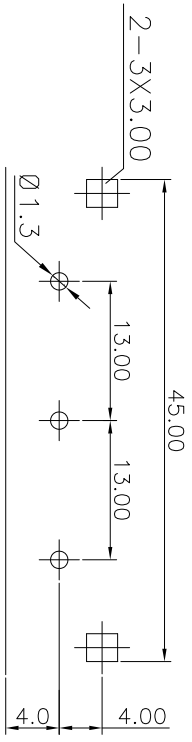
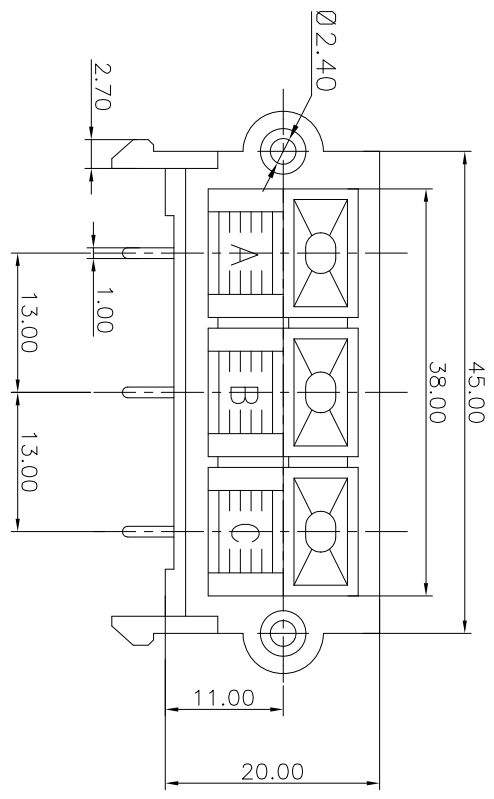
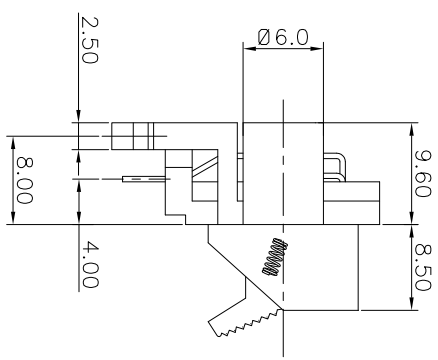




REV.	ECN NO.	MODIFIED MARK	APPROVED
A		FIRST RELEASE	



PCB LAYOUT  
TOP VIEW

- NOTES:  
ELECTRICAL:  
1:RATED CURRENT: 3A Max.  
2:RATED VOLTAGE: 50V AC.  
3:INSULATION RESISTANCE: 100 MEGAOHMS Min.  
4:DIELECTRIC WITHSTANDING VOLTAGE: 1200 VAC Min.  
MECHANICAL:  
1:WIRE IN HOLD FORCE 5N (20#WIRE) MIN  
2:INSPECTED VOLTAGE, AT THE SPEED OF 6-10S PER MINUTES, THE SAMPLES ARE INSPECTED 10000 CYCLES, BUT THERE ARE NO DAMAGE ON THE PRESSURE AND THE RISING TEMPERATURE, ETC.  
3:APPLY 2kgf FORCE AT ANY DIRECTION , THERE NO LOOSE & NO CRACK

ANGLE	±5°	MODEL NAME: WP3-2 (PART NO.)	 广东正宝科技有限公司 GUANGDONG TRENPRO TECHNOLOGY CO., LTD.
63 < L	±0.5	MAT'L: DESIGN: X.H.Wang 11/06'18	
16 < L ≤ 63	±0.4	FINISH: CHECKED: L.W.Wu 11/06'18	TITLE: WP PUSH TERMINAL
4 < L ≤ 16	±0.3	See table	DWG NO.:
L ≤ 4	±0.2	Q'TY: /	UNIT: mm

TOL TABLE:				APPROVED: X.Q.Hu 11/06'18	VIEW: 	SCALE: 5:1	SHEET: 1/1	SIZE: A3
THIS DOCUMENT IS THE PROPERTY OF TRENPRO TECHNOLOGY CO., LTD. NO PART THEREOF MAY BE REPRODUCED AND USED WITHOUT THE PRIOR WRITTEN CONSENT OF THE OWNER								