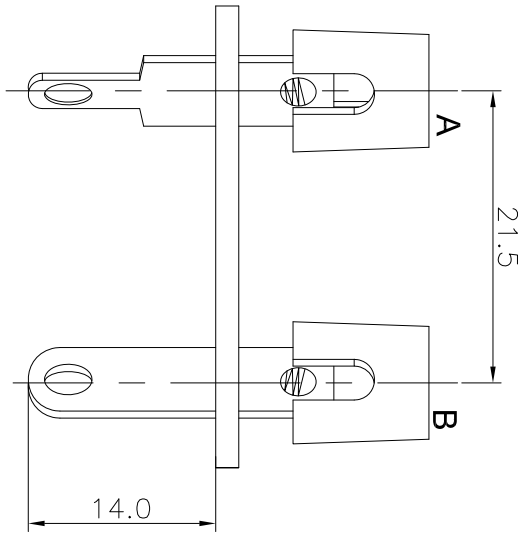
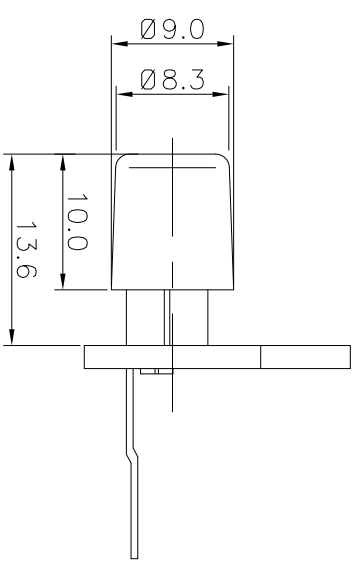
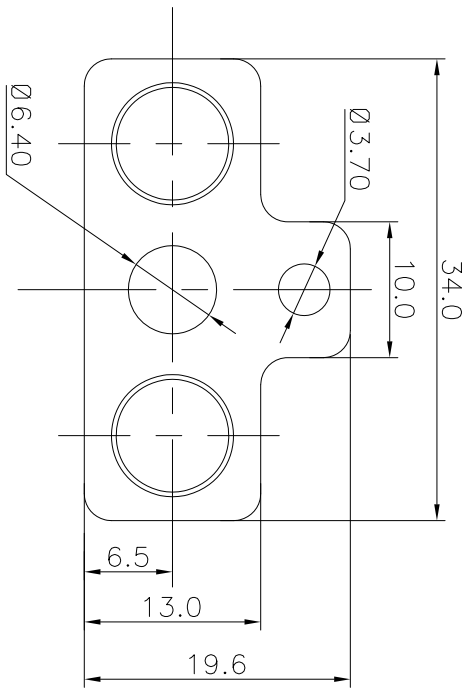




REV.	ECN NO.	MODIFIED MARK	APPROVED
A	—	FIRST RELEASE	



NOTES:  
ELECTRICAL:  
1:RATED CURRENT: 3A Max.  
2:RATED VOLTAGE: 50V AC.  
3:INSULATION RESISTANCE: 100 MEGAOHMS Min.  
4: DIELECTRIC WITHSTANDING VOLTAGE: 1200 VAC Min.  
MECHANICAL:  
1:WIRE IN HOLD FORCE 5N (20#WIRE) MIN  
2:INSPECTED VOLTAGE, AT THE SPEED OF 6-10S PER MINUTES, THE SAMPLES ARE INSPECTED 10000 CYCLES, BUT THERE ARE NO DAMAGE ON THE PRESSURE AND THE RISING TEMPERATURE, ETC.3:APPLY 2kgf FORCE AT ANY DIRECTION , THERE NO LOOSE & NO CRACK

ANGLE	±5°	MODEL NAME: WP2-16	 <b>广东正宝科技有限公司</b> GUANGDONG TRENPRO TECHNOLOGY CO., LTD.
63 < L	±0.5	(PART NO.)	
16 < L ≤ 63	±0.4	DESIGN: X.H.Wang 11/06'18	TITLE: WP PUSH TERMINAL
4 < L ≤ 16	±0.3	CHECKED: L.W.Wu 11/06'18	DWG NO.:
L ≤ 4	±0.2	See table	UNIT: mm
TOL TABLE:		See table	VIEW: 
THIS DOCUMENT IS THE PROPERTY OF TRENPRO TECHNOLOGY CO., LTD. NO PART THEREOF MAY BE REPRODUCED AND USED WITHOUT THE PRIOR WRITTEN CONSENT OF THE OWNER		QTY: /	SCALE: 5:1
		APPROVED: X.Q.Hu 11/06'18	SHEET: 1/1
			SIZE: A3

1 2 3 4 5 6 7 8

A B C D E F G H