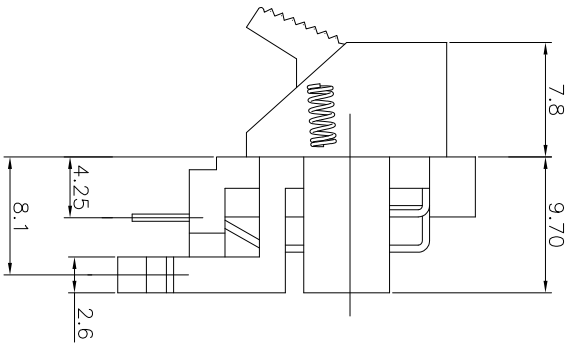
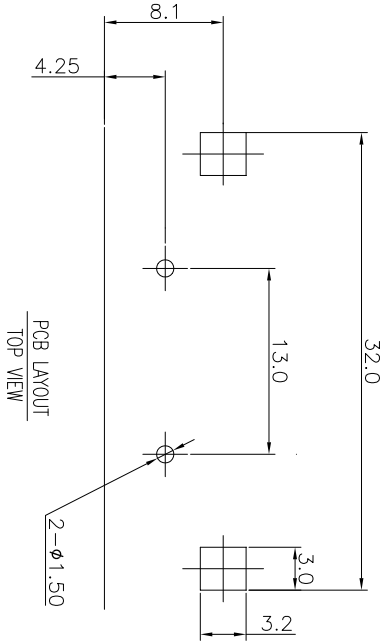
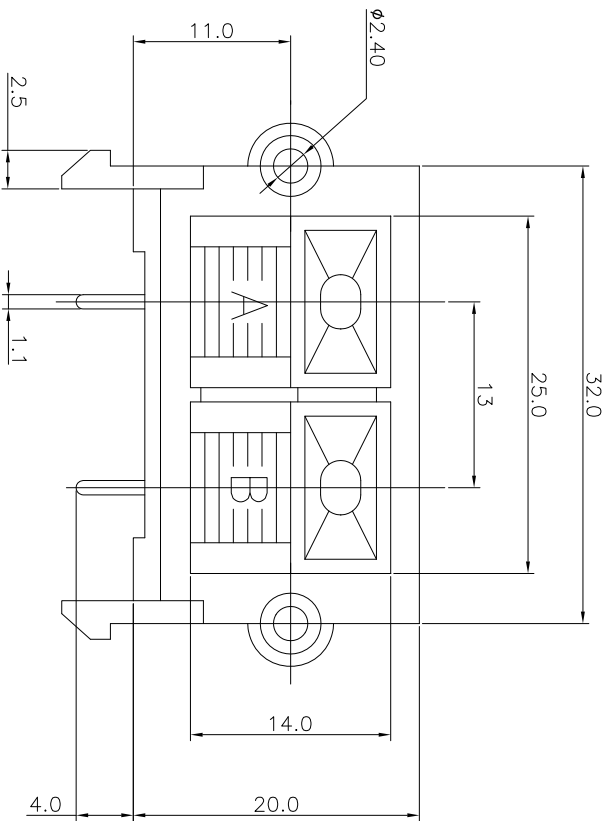


REV.	ECN NO.	MODIFIED MARK	APPROVED
A		FIRST RELEASE	



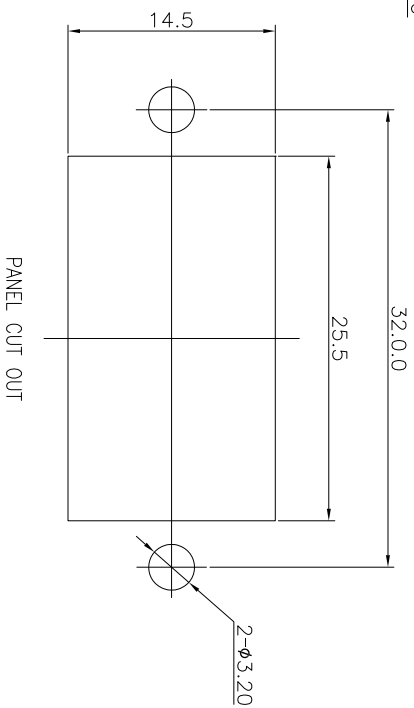
NOTES:


ELECTRICAL:

- 1:RATED CURRENT: 3A Max.
- 2:RATED VOLTAGE: 50V AC.
- 3:INSULATION RESISTANCE: 100 MEGAOHMS Min.
- 4:DIELECTRIC WITHSTANDING VOLTAGE: 1200 VAC Min.

MECHANICAL:

- 1:WIRE IN HOLD FORCE 5N (20#WIRE) MIN
- 2:INSPECTED VOLTAGE, AT THE SPEED OF 6-10S PER MINUTES, THE SAMPLES ARE INSPECTED 10000 CYCLES, BUT THERE ARE NO DAMAGE ON THE PRESSURE AND THE RISING TEMPERATURE, ETC.
- 3:APPLY 2kgf FORCE AT ANY DIRECTION , THERE NO LOOSE & NO CRACK



ANGLE	$\pm 5^\circ$	MODEL NAME: WP2-13	 广东正宝科技有限公司 GUANGDONG TRENPRO TECHNOLOGY CO., LTD.	TITLE: WP PUSH TERMINAL	REV.: A
63 < L	$\pm 0.5$	(PART NO.)		DWG NO.:	SIZE: A3
16 < L ≤ 63	$\pm 0.4$	MAT'L:	DESIGN: X.H.Wang 11/06'18	SCALE: 5:1	
4 < L ≤ 16	$\pm 0.3$	FINISH:	CHECKED: L.W.Wu 11/06'18	SHEET: 1/1	
L ≤ 4	$\pm 0.2$	Q'TY./:	APPROVED: X.Q.Hu 11/06'18	UNIT: mm	
TOL TABLE:		THIS DOCUMENT IS THE PROPERTY OF TRENPRO TECHNOLOGY CO., LTD. NO PART THEREOF MAY BE REPRODUCED AND USED WITHOUT THE PRIOR WRITTEN CONSENT OF THE OWNER			