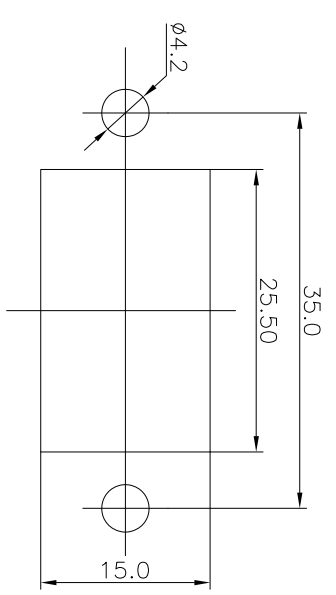
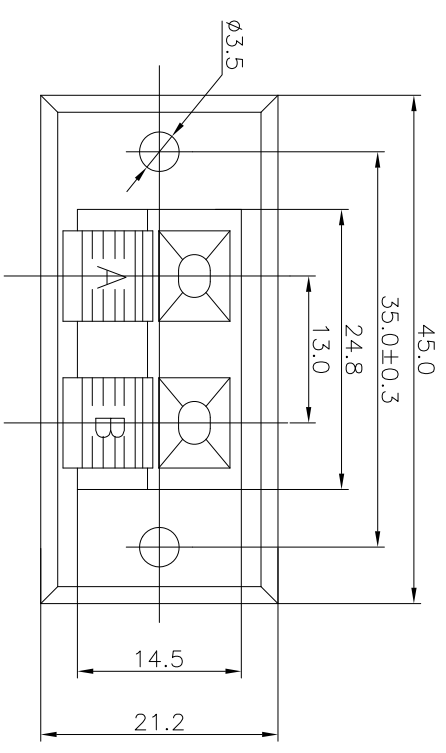
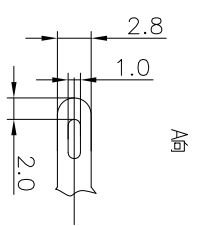
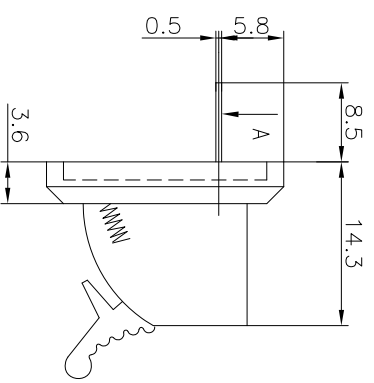



REV.	ECN NO.	MODIFIED MARK	APPROVED
A	—	FIRST RELEASE	



PANEL CUT OUT

NOTES:  
 ELECTRICAL:  
 1:RATED CURRENT: 3A Max.  
 2:RATED VOLTAGE: 50V AC.  
 3:INSULATION RESISTANCE: 100 MEGAOHMS Min.  
 4:ELECTRIC WITHSTANDING VOLTAGE: 1200 VAC Min.  
 MECHANICAL:  
 1:WIRE IN HOLD FORCE 5N (20#WIRE) MIN  
 2:INSPECTED VOLTAGE, AT THE SPEED OF 6-10S PER MINUTES, THE SAMPLES ARE INSPECTED 10000 CYCLES, BUT THERE ARE NO DAMAGE ON THE PRESSURE AND THE RISING TEMPERATURE, ETC.  
 3:APPLY 2kgf FORCE AT ANY DIRECTION , THERE NO LOOSE & NO CRACK

ANGLE	±5°	MODEL NAME: WP2-3	 广东正宝科技有限公司 GUANGDONG TRENPRO TECHNOLOGY CO., LTD.	TITLE:	WP PUSH TERMINAL	REV.:	A				
63 < L	±0.5	(PART NO.)		MAT'L:	See table	UNIT:	mm	VIEW:	SCALE:	SHEET:	SIZE:
16 < L ≤ 63	±0.4			FINISH:	See table	APPROVED:	X.Q.Hu	11/17'18	5:1	1/1	A3
4 < L ≤ 16	±0.3				CHECKED:	L.W.Wu	11/17'18				
L ≤ 4	±0.2				DESIGN:	X.H.Wang	11/17'18				
TOL TABLE:											
THIS DOCUMENT IS THE PROPERTY OF TRENPRO TECHNOLOGY CO., LTD., NO PART THEREOF MAY BE REPRODUCED AND USED WITHOUT THE PRIOR WRITTEN CONSENT OF THE OWNER											