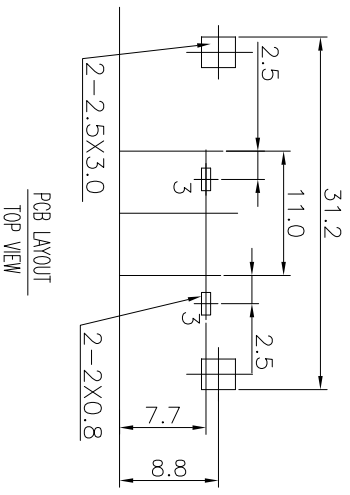
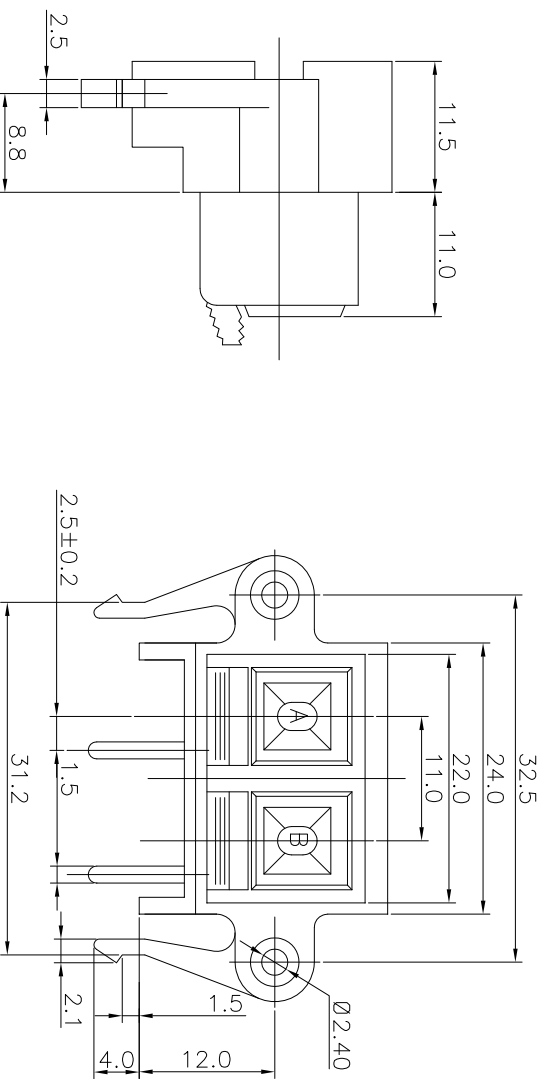


REV.	ECN NO.	MODIFIED MARK	APPROVED
A		FIRST RELEASE	



NOTES:  
 ELECTRICAL:  
 1:RATED CURRENT: 3A Max.  
 2:RATED VOLTAGE: 50V AC.  
 3:INSULATION RESISTANCE: 100 MEGAOHMS Min.  
 4:DIELECTRIC WITHSTANDING VOLTAGE: 1200 VAC Min.  
 MECHANICAL:  
 1:WIRE IN HOLD FORCE 5N (20#WIRE) MIN  
 2:INSPECTED VOLTAGE, AT THE SPEED OF 6-10S PER MINUTES, THE SAMPLES ARE INSPECTED 10000 CYCLES, BUT THERE ARE NO DAMAGE ON THE PRESSURE AND THE RISING TEMPERATURE, ETC.3:APPLY 2kgf FORCE AT ANY DIRECTION , THERE NO LOOSE & NO CRACK

ANGLE	±5°	MODEL NAME: WP2-2B (PART NO.)	DESIGN: X.H.Wang 11/06'18	TITLE: WP PUSH TERMINAL	REV.: A
63 < L	±0.5	MAT'L: See table	CHECKED: L.W.Wu 11/06'18	DWG NO.:	
16 < L ≤ 63	±0.4	FINISH: See table	APPROVED: X.Q.Hu 11/06'18	UNIT: mm	VIEW:
4 < L ≤ 16	±0.3	Q'TY: /		SCALE: 5:1	SHEET: 1/1
L ≤ 4	±0.2				SIZE: A3

TOL TABLE:  
 THIS DOCUMENT IS THE PROPERTY OF  
 TRENPRO TECHNOLOGY CO., LTD., NO PART  
 THEREOF MAY BE REPRODUCED AND  
 USED WITHOUT THE PRIOR WRITTEN  
 CONSENT OF THE OWNER

广东正宝科技有限公司  
 GUANGDONG TRENPRO TECHNOLOGY CO., LTD.