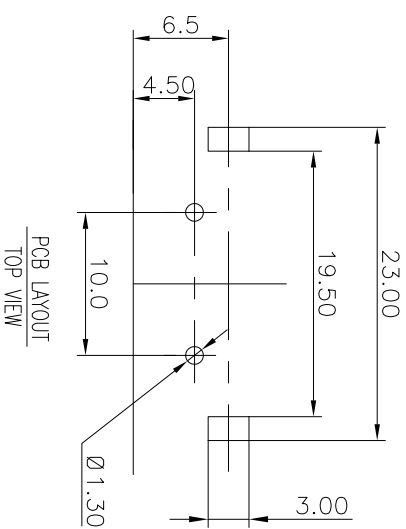
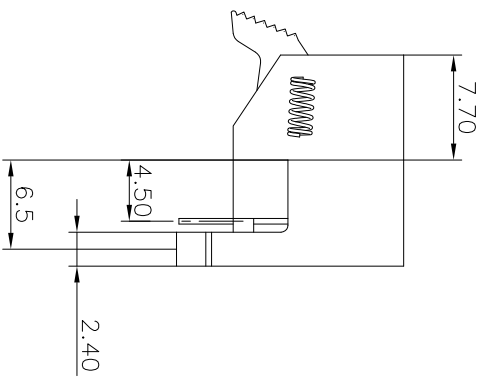
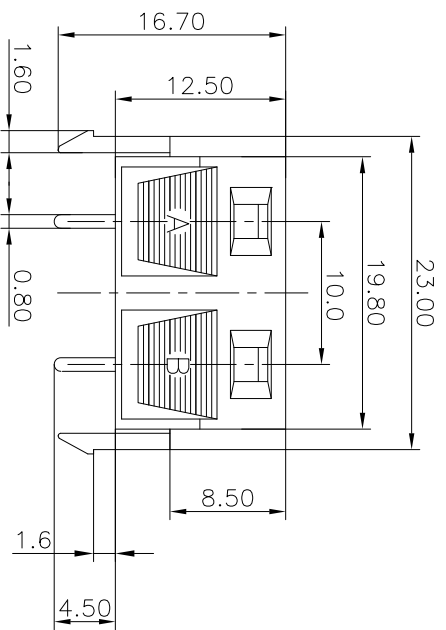


| | | | |
|------|---------|---------------|----------|
| REV. | ECN NO. | MODIFIED MARK | APPROVED |
| A | | FIRST RELEASE | |



NOTES:
 ELECTRICAL:
 1:RATED CURRENT: 3A Max.
 2:RATED VOLTAGE: 50V AC.
 3:INSULATION RESISTANCE: 100 MEGAOHMS Min.
 4:DIELECTRIC WITHSTANDING VOLTAGE: 1200 VAC Min.
 MECHANICAL:
 1:WIRE IN HOLD FORCE 5N (20#WIRE) MIN
 2:INSPECTED VOLTAGE, AT THE SPEED OF 6-10S PER MINUTES, THE SAMPLES ARE INSPECTED 10000 CYCLES, BUT THERE ARE NO DAMAGE ON THE PRESSURE AND THE RISING TEMPERATURE, ETC.3:APPLY 2kgf FORCE AT ANY DIRECTION , THERE NO LOOSE & NO CRACK

| | | | | | |
|-------------|------|---------------------------------|---------------------------|-------------------------|------------|
| ANGLE | ±5° | MODEL NAME: WP2-1 (PART NO.) | DESIGN: X.H.Wang 09/13'18 | TITLE: WP PUSH TERMINAL | REV.: A |
| 63 < L | ±0.5 | MAT'L: See table | CHECKED: L.W.Wu 09/13'18 | DWG NO.: | |
| 16 < L ≤ 63 | ±0.4 | FINISH: See table | APPROVED: X.Q.Hu 09/13'18 | UNIT: mm | SCALE: 5:1 |
| 4 < L ≤ 16 | ±0.3 | Q'TY: / | | VIEW: | SHEET: 1/1 |
| L ≤ 4 | ±0.2 | | | | SIZE: A3 |

TOL TABLE:
 THIS DOCUMENT IS THE PROPERTY OF TRENPRO TECHNOLOGY CO., LTD., NO PART THEREOF MAY BE REPRODUCED AND USED WITHOUT THE PRIOR WRITTEN CONSENT OF THE OWNER

广东正宝科技有限公司
 GUANGDONG TRENPRO TECHNOLOGY CO., LTD.