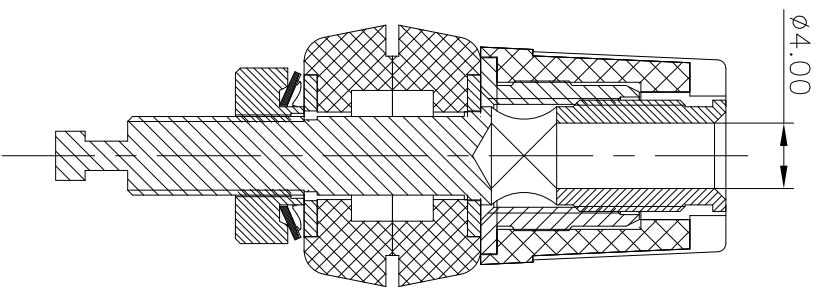
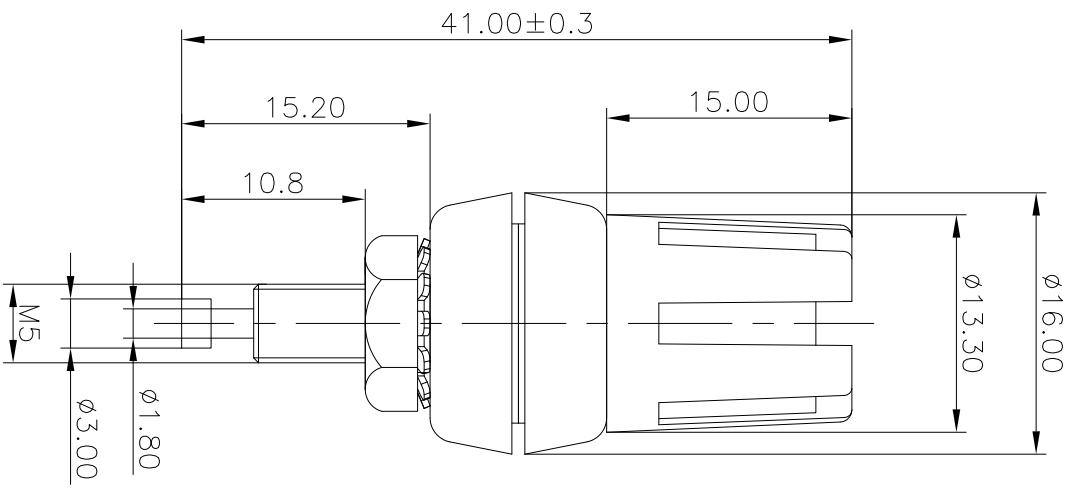


REV.	ECN NO.	MODIFIED MARK	APPROVED
A	—	FIRST RELEASE	





NOTES:

ELECTRICAL:

- 1: RATED CURRENT: 3A Max.
- 2: RATED VOLTAGE: 50V AC.
- 3: INSULATION RESISTANCE: 100 MEGAΩMS Min.
- 4: DIELECTRIC WITHSTANDING VOLTAGE: 1200 VAC Min.

MECHANICAL:

- 1: WIRE IN HOLD FORCE 5N (20#WIRE) MIN
- 2: INSPECTED VOLTAGE, AT THE SPEED OF 6-10S PER MINUTES, THE SAMPLES ARE INSPECTED 10000 CYCLES, BUT THERE ARE NO DAMAGE ON THE PRESSURE AND THE RISING TEMPERATURE, ETC.
- 3: APPLY 2kgf FORCE AT ANY DIRECTION, THERE NO LOOSE & NO CRACK

ANGLE	±5°	MODEL NAME: WP1-18		 广东正宝科技有限公司 GUANGDONG TRENPRO TECHNOLOGY CO., LTD.	
63 < L	±0.5	(PART NO.)			
16 < L ≤ 63	±0.4	MAT'L:	DESIGN: X.H.Wang 09/13/18	TITLE: WP PUSH TERMINAL	
4 < L ≤ 16	±0.3	FINISH:	CHECKED: L.W.Wu 09/13/18	DWG NO.:	
L ≤ 4	±0.2	See table	Q'TY: /	APPROVED: X.Q.Hu 09/13/18	
TOL TABLE:		See table	UNIT: mm	VIEW: 	SCALE: 5:1
THIS DOCUMENT IS THE PROPERTY OF TRENPRO TECHNOLOGY CO., LTD. NO PART THEREOF MAY BE REPRODUCED AND USED WITHOUT THE PRIOR WRITTEN CONSENT OF THE OWNER					

