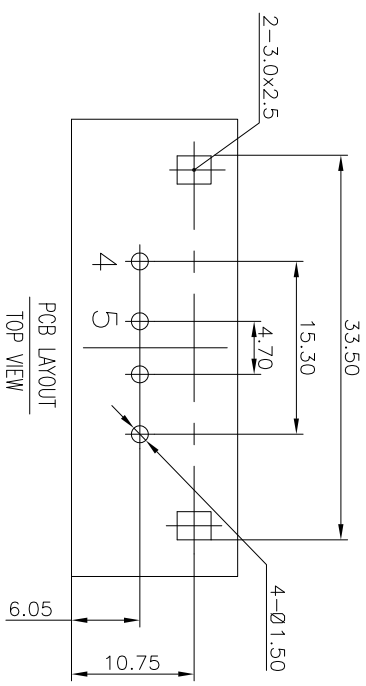
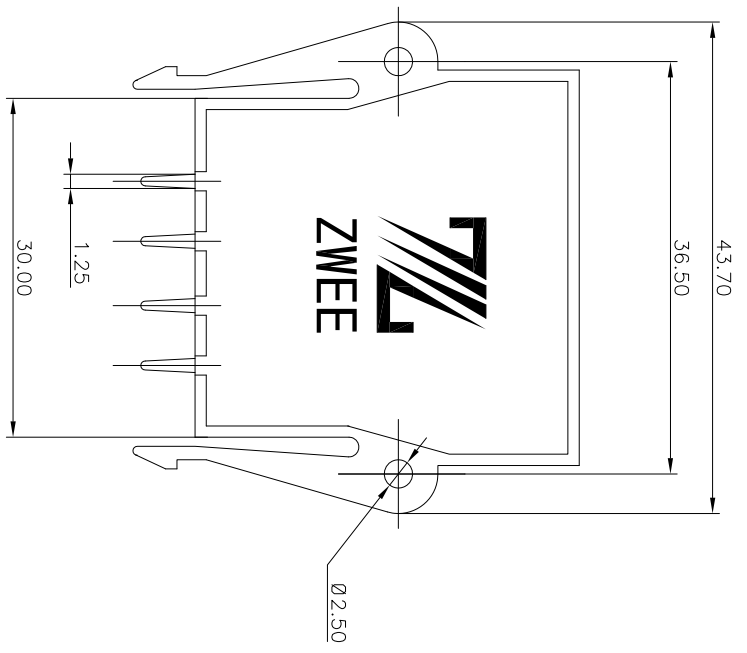
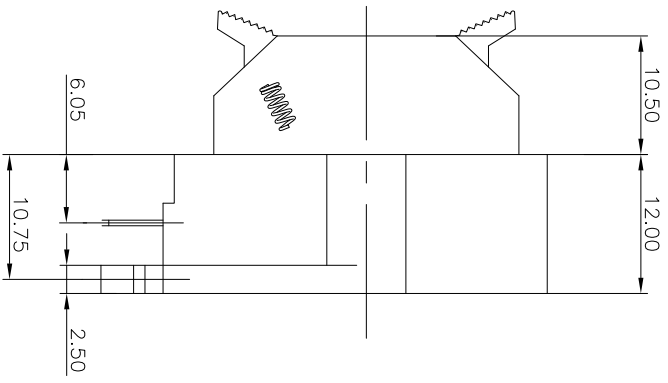
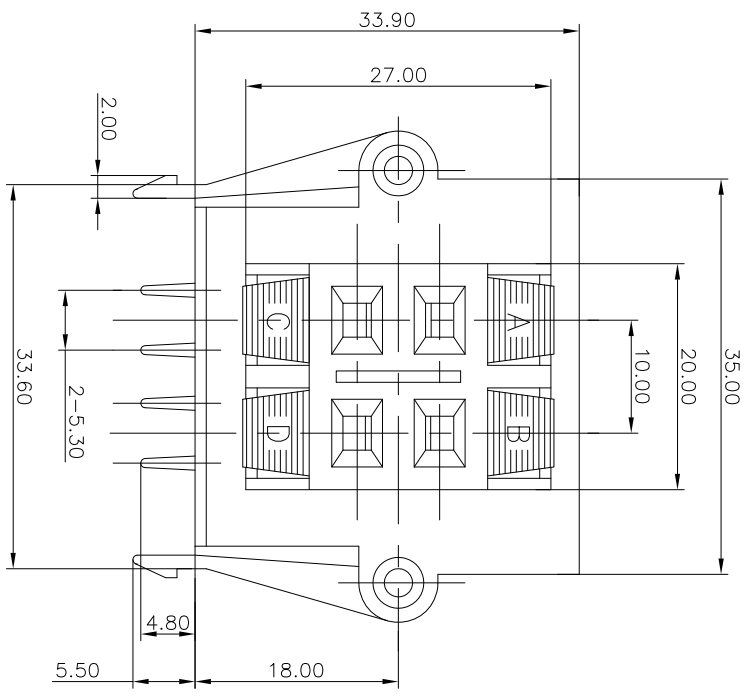
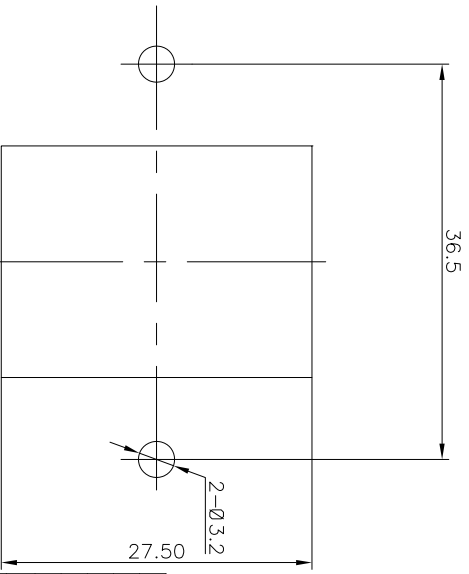


| | | | |
|------|---------|---------------|----------|
| REV. | ECN NO. | MODIFIED MARK | APPROVED |
| A | | FIRST RELEASE | |



NOTES:
 ELECTRICAL:
 1:RATED CURRENT: 3A Max.
 2:RATED VOLTAGE: 50V AC.
 3:INSULATION RESISTANCE: 100 MEGAOHMS Min.
 4:DI-ELECTRIC WITHSTANDING VOLTAGE: 1200 VAC Min.
 MECHANICAL:
 1:WIRE IN HOLD FORCE 5N (20#WIRE) MIN
 2:INSPECTED VOLTAGE, AT THE SPEED OF 6-10S PER MINUTES, THE SAMPLES ARE INSPECTED 10000 CYCLES, BUT THERE ARE NO DAMAGE ON THE PRESSURE AND THE RISING TEMPERATURE, ETC.3:APPLY 2kgf FORCE AT ANY DIRECTION , THERE NO LOOSE & NO CRACK



| | | | | | | | | | |
|---|----------|------------|----------|------------------|-------|--------|--------|-------|-------|
| ANGLE | ±5° | | | | | | | | |
| 63 < L | ±0.5 | | | | | | | | |
| 16 < L ≤ 63 | ±0.4 | | | | | | | | |
| 4 < L ≤ 16 | ±0.3 | | | | | | | | |
| L ≤ 4 | ±0.2 | | | | | | | | |
| TOL TABLE: | | | | | | | | | |
| THIS DOCUMENT IS THE PROPERTY OF TERPRO TECHNOLOGY CO., LTD., NO PART THEREOF MAY BE REPRODUCED AND USED WITHOUT THE PRIOR WRITTEN CONSENT OF THE OWNER | | | | | | | | | |
| MODEL NAME: | WP4-21FB | (PART NO.) | | | | | | | |
| DESIGN: | X.H.Wang | 09/13'18 | TITLE: | WP PUSH TERMINAL | | | | | |
| CHECKED: | L.W.Wu | 09/13'18 | DWG NO.: | | | | | | |
| APPROVED: | X.Q.Hu | 09/13'18 | UNIT: | mm | VIEW: | SCALE: | SHEET: | SIZE: | REV.: |
| | | | | | | 5:1 | 1/1 | A3 | A |