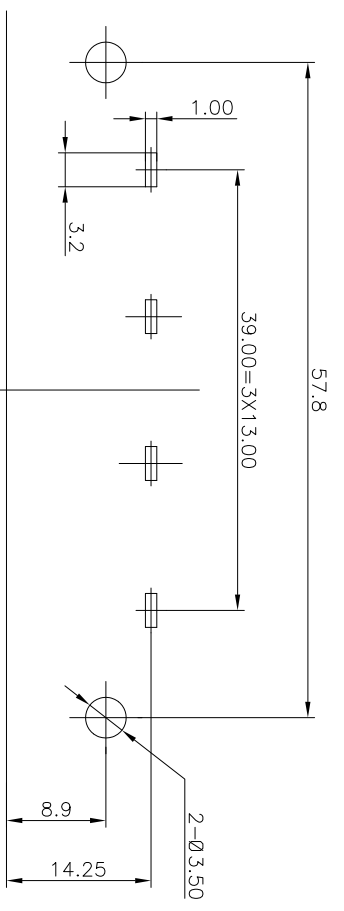
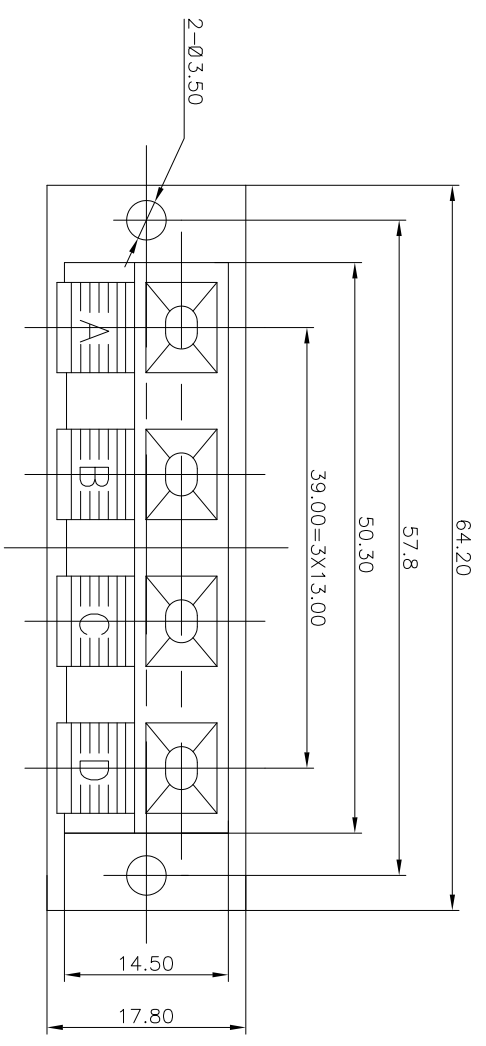
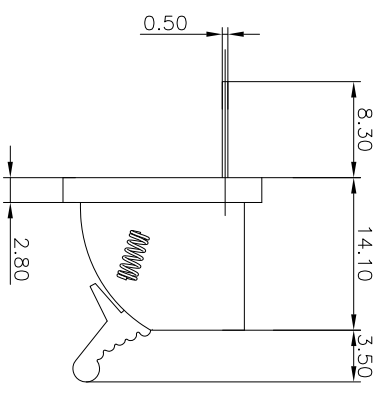


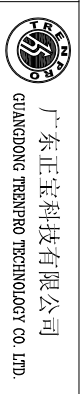
REV.	ECN NO.	MODIFIED MARK	APPROVED
A		FIRST RELEASE	



NOTES:  
 ELECTRICAL:  
 1:RATED CURRENT: 3A Max.  
 2:RATED VOLTAGE: 50V AC.  
 3:INSULATION RESISTANCE: 100 MEGAOHMS Min.  
 4:DIELECTRIC WITHSTANDING VOLTAGE: 1200 VAC Min.  
 MECHANICAL:  
 1:WIRE IN HOLD FORCE 5N (20#WIRE) MIN  
 2:INSPECTED VOLTAGE, AT THE SPEED OF 6-10S PER MINUTES, THE SAMPLES ARE INSPECTED 10000 CYCLES, BUT THERE ARE NO DAMAGE ON THE PRESSURE AND THE RISING TEMPERATURE, ETC.  
 3:APPLY 2kgf FORCE AT ANY DIRECTION , THERE NO LOOSE & NO CRACK

ANGLE	±5°
63 < L	±0.5
16 < L ≤ 63	±0.4
4 < L ≤ 16	±0.3
L ≤ 4	±0.2

TOL TABLE:	
THIS DOCUMENT IS THE PROPERTY OF TERPRO TECHNOLOGY CO., LTD. NO PART THEREOF MAY BE REPRODUCED AND USED WITHOUT THE PRIOR WRITTEN CONSENT OF THE OWNER	
MODEL NAME:	WP4-7FB
(PART NO.)	
DESIGN:	X.H.Wang 09/13'18
TITLE:	WP PUSH TERMINAL
CHECKED:	L.W.Wu 09/13'18
DWG NO.:	
APPROVED:	X.Q.Hu 09/13'18
UNIT:	mm
VIEW:	
SCALE:	5:1
SHEET:	1/1
SIZE:	A3



广东正宝科技有限公司  
 GUANGDONG TERPRO TECHNOLOGY CO., LTD.