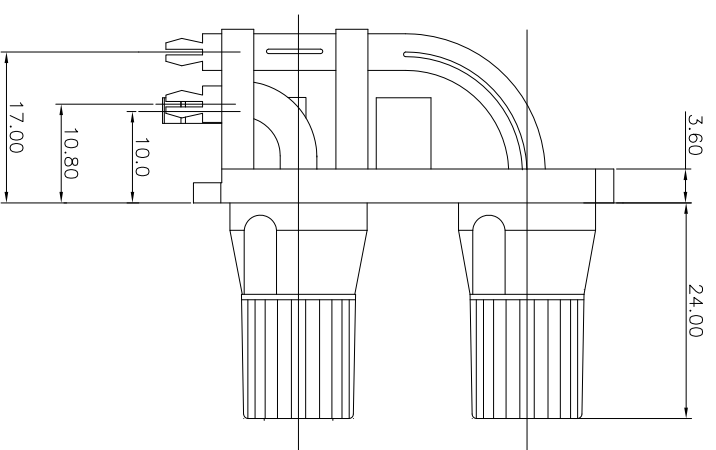
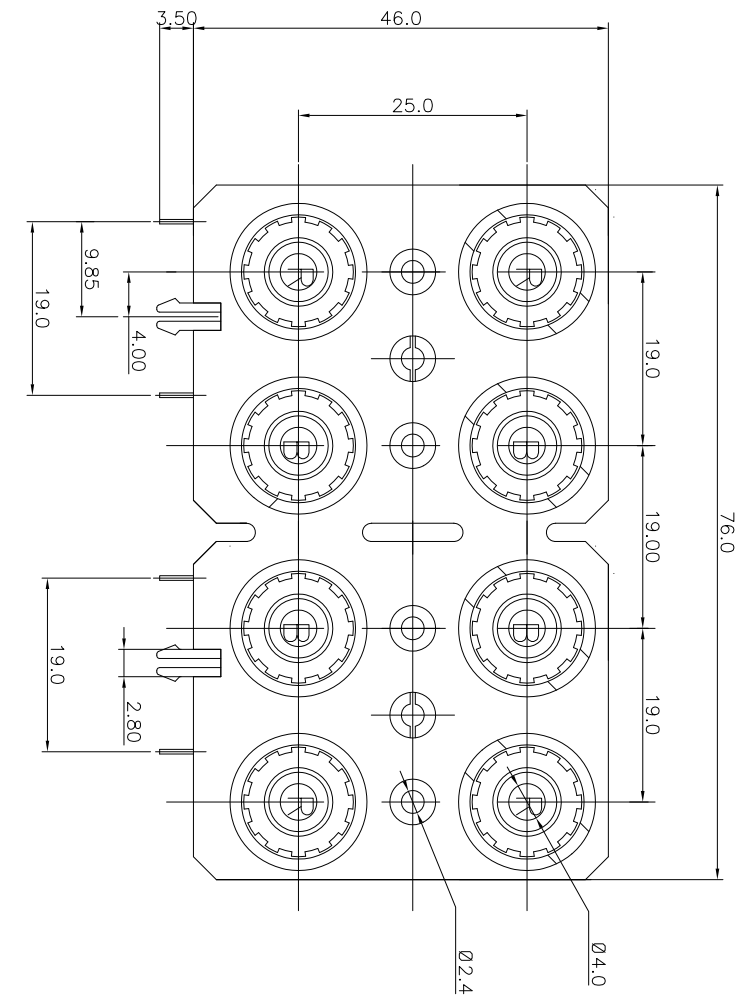


REV.	ECN NO.	MODIFIED MARK	APPROVED
A		FIRST RELEASE	


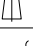


NOTES:
ELECTRICAL:
1: RATED CURRENT: 3A Max.
2: RATED VOLTAGE: 50V AC.
3: INSULATION RESISTANCE: 100 MEGAOHMS Min.
4: DIELECTRIC WITHSTANDING VOLTAGE: 1200 VAC Min.
MECHANICAL:
1: WIRE IN HOLD FORCE 5N (20#WIRE) MIN
2: INSPECTED VOLTAGE, AT THE SPEED OF 6-10S PER MINUTES, THE SAMPLES ARE INSPECTED 10000 CYCLES, BUT THERE ARE NO DAMAGE ON THE PRESSURE AND THE RISING TEMPERATURE, ETC. 3: APPLY 2kgf FORCE AT ANY DIRECTION, THERE NO LOOSE & NO CRACK

PCB LAYOUT
TOP VIEW

ANGLE	±5°
63 < L	±0.5
16 < L ≤ 63	±0.4
4 < L ≤ 16	±0.3
L ≤ 4	±0.2

TOL TABLE:
THIS DOCUMENT IS THE PROPERTY OF
TERPRO TECHNOLOGY CO., LTD. NO PART
THEREOF MAY BE REPRODUCED AND
USED WITHOUT THE PRIOR WRITTEN
CONSENT OF THE OWNER

MODEL NAME: WP8-10 (PART NO.)	DESIGN: X.H.Wang 11/06'18	TITLE: WP PUSH TERMINAL
FINISH: See table	CHECKED: L.W.Wu 11/06'18	DWG NO.:
QTY: /	APPROVED: X.Q.Hu 11/06'18	UNIT: mm
 广东正宝科技有限公司 GUANGDONG TERPRO TECHNOLOGY CO., LTD.		VIEW: 
SCALE: 5:1	SHEET: 1/1	REV.: A
SHEET: 1/1	SIZE: A3	