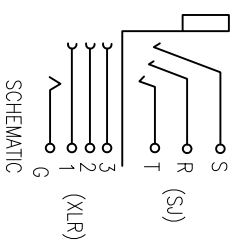
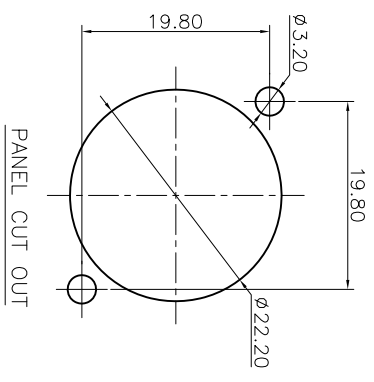
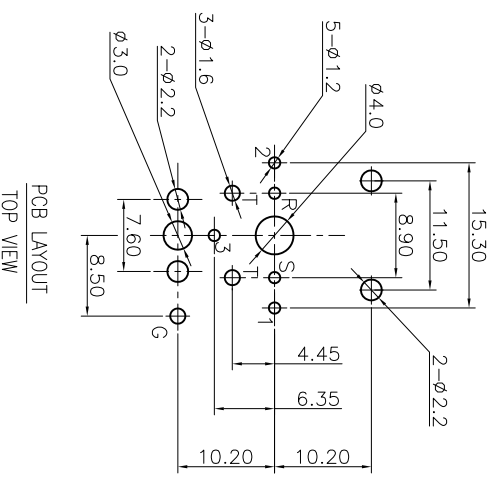
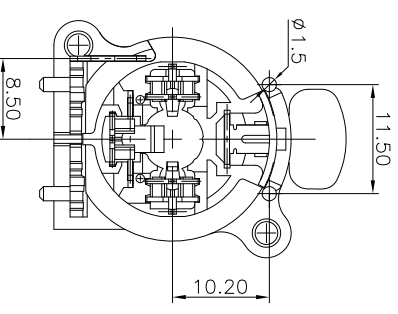
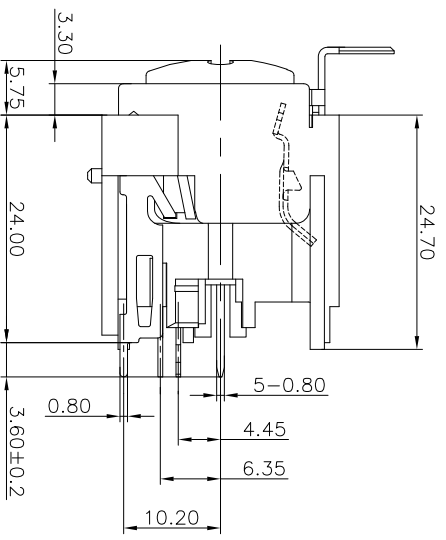
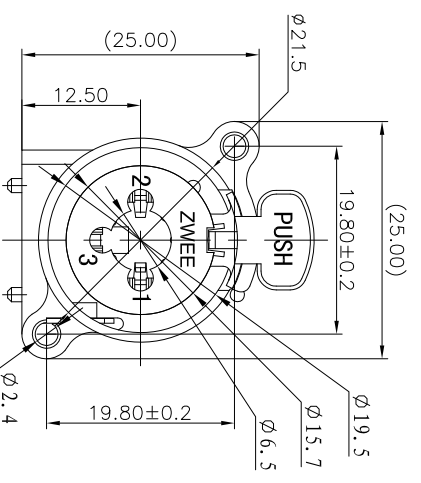
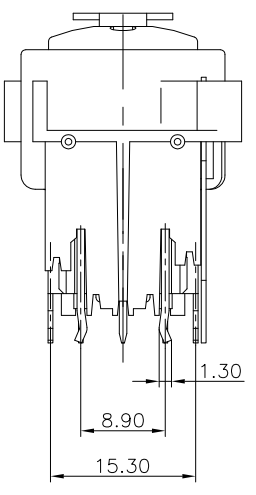
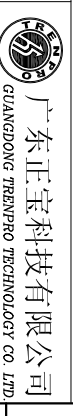


|      |         |               |          |
|------|---------|---------------|----------|
| REV. | ECN NO. | MODIFIED MARK | APPROVED |
| A    |         | FIRST RELEASE |          |



NOTES:  
 ELECTRICAL:  
 1:RATED CURRENT: 7.5 A MAX.  
 2:RATED VOLTAGE: 50 V AC.  
 3:CONTACT RESISTANCE: XLR: 30 MILLIOHMS MAX. JACK:30 MILLIOHMS MAX.  
 4:INSULATION RESISTANCE: 1 G OHMS MIN.  
 5:DIELECTRIC WITHSTANDING VOLTAGE: 500 VAC MIN.  
 MECHANICAL:  
 1:INSERTION FORCE: 5N~40N  
 2:WITHDRAWAL FORCE: 5N~40N.  
 4:DURABILITY: 1000 CYCLES.  
 ENVIRONMENTAL:  
 TEMPERATURE RANGE: -30°C TO 80°C.

|   |           |             |                      |          |
|---|-----------|-------------|----------------------|----------|
| ANGLE   | ±5°       | MODEL NAME: | SPC-19A              |          |
| 63 < L  | ±0.5      | (PART NO.)  |                      |          |
| 16 < L ≤ 63   | ±0.4      | DESIGN:     | X.H.Wang 08/20'18    |          |
| 4 < L ≤ 16  | ±0.3      | CHECKED:    | L.M.Wu 08/20'18      |          |
| L ≤ 4   | ±0.2      | DWG NO.:    |                      |          |
| TOL TABLE:  |           |             |                      |          |
| THIS DOCUMENT IS THE PROPERTY OF TRENPRO TECHNOLOGY CO., LTD. NO PART THEREOF MAY BE REPRODUCED AND USED WITHOUT THE PRIOR WRITTEN CONSENT OF THE OWNER |           |             |                      |          |
| MAT'L:  | See table | TITLE:      | XLR CABLE CONNECTORS |          |
| FINISH:   | See table | APPROVED:   | X.Q.Hu               | 08/20'18 |
| Q'TY: /   |           | UNIT:       | mm                   |          |
|   |           | VIEW:       | SCALE:               | SHEET:   |
|   |           |             | 5:1                  | 1/1      |
|   |           | SIZE:       | A3                   |          |



广东正宝科技有限公司  
 GUANGDONG TRENPRO TECHNOLOGY CO., LTD.