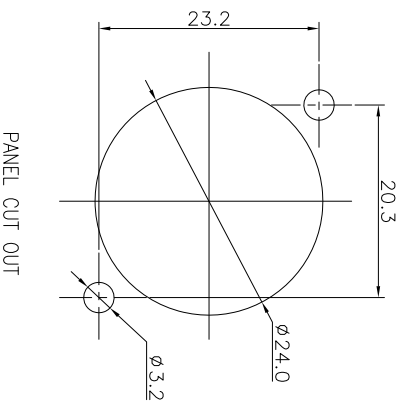
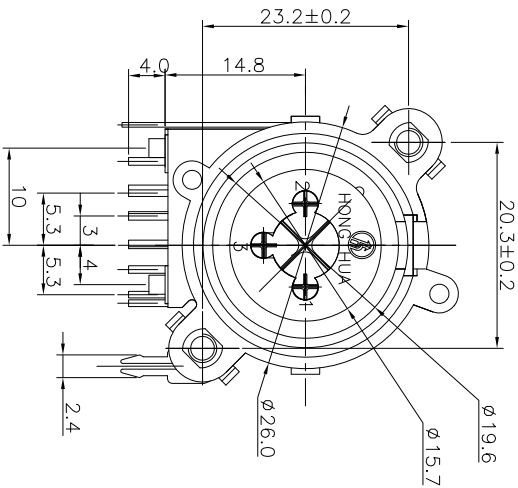
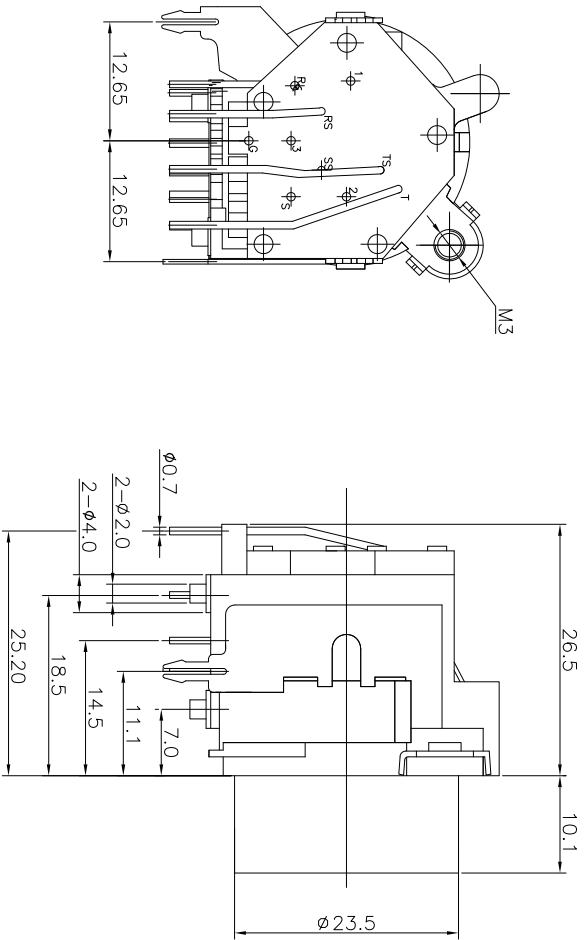
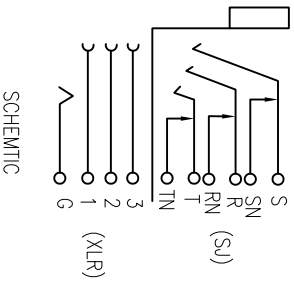
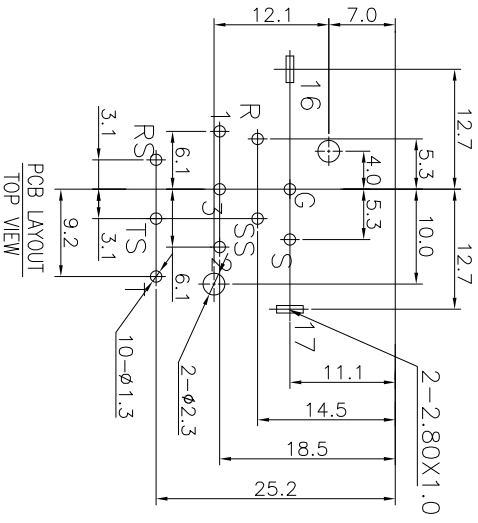


REV. A	ECN NO.	MODIFIED MARK	APPROVED
		FIRST RELEASE	



PANEL CUT OUT



- NOTES:
- ELECTRICAL:
- 1:RATED CURRENT: 7.5 A MAX.
 - 2:RATED VOLTAGE: 50 V AC.
 - 3:CONTACT RESISTANCE: XLR: 30 MILLIOHMS MAX. JACK:30 MILLIOHMS MAX.
 - 4:INSULATION RESISTANCE: 1 G OHMS MIN.
 - 5:DIELECTRIC WITHSTANDING VOLTAGE: 500 VAC MIN.
- MECHANICAL:
- 1:INSERTION FORCE: 5N~40N
 - 2:WITHDRAWAL FORCE: 5N~40N.
 - 4:DURRABILITY: 1000 CYCLES.
- ENVIRONMENTAL:
- TEMPERATURE RANGE: -30°C TO 80°C.

ANGLE	±5°
63 < L	±0.5
16 < L ≤ 63	±0.4
4 < L ≤ 16	±0.3
L ≤ 4	±0.2

TOL TABLE:		THIS DOCUMENT IS THE PROPERTY OF TENPRO TECHNOLOGY CO., LTD. NO PART THEREOF MAY BE REPRODUCED AND USED WITHOUT THE PRIOR WRITTEN CONSENT OF THE OWNER	
MODEL NAME: (PART NO.)	SPC-03C-10P	MAT'L:	See table
DESIGN:	X.H.Wang 09/19'18	FINISH:	See table
CHECKED:	L.W.Wu 09/19'18	Q'TY: /	
APPROVED:	X.Q.Hu 09/19'18	APPROVED:	X.Q.Hu 09/19'18
DWG NO.:		UNIT:	mm
TITLE:	XLR CABLE CONNECTORS	VIEW:	5:1
REV.:	A	SHEET:	1/1
		SIZE:	A3



广东正宝科技有限公司
GUANGDONG TENPRO TECHNOLOGY CO., LTD.