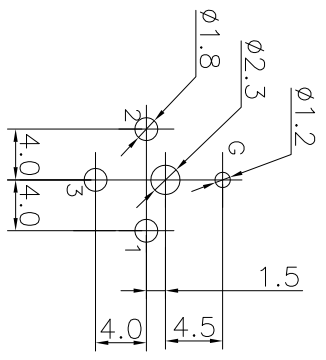
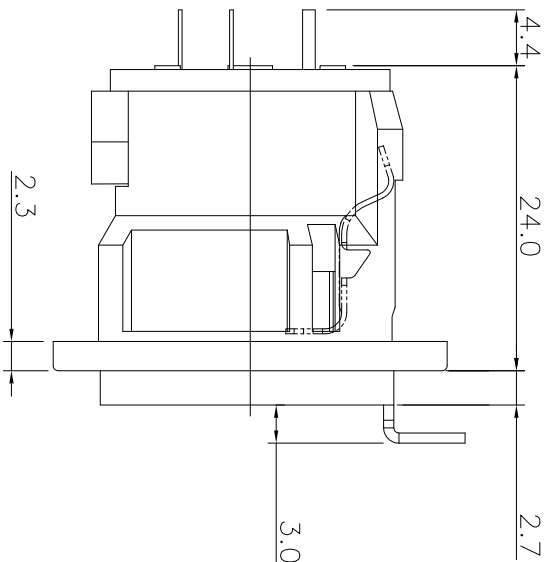
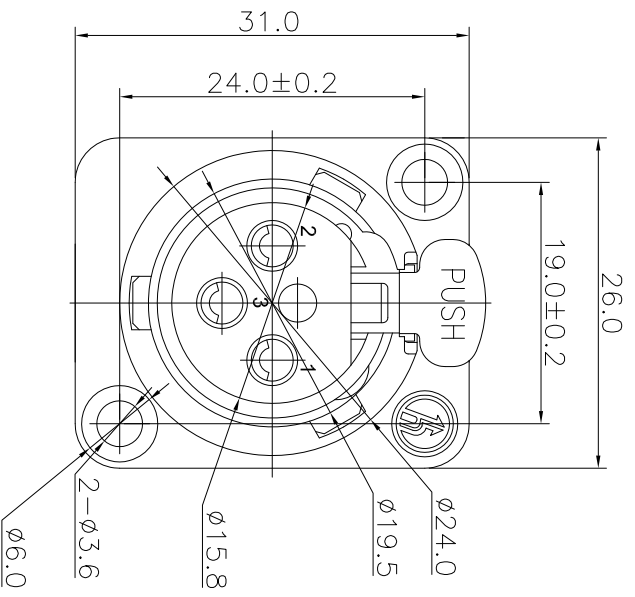
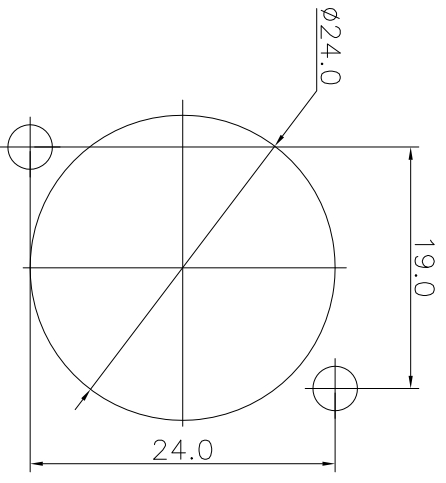


REV.:	ECN NO.:	MODIFIED MARK	APPROVED
A		FIRST RELEASE	



- NOTES:
- ELECTRICAL:
- 1: RATED CURRENT: 6A Max.
 - 2: RATED VOLTAGE: 50V AC.
 - 3: CONTACT RESISTANCE: 30 MILLIOHMS Max.
 - AFTER TESTING: 60 MILLIOHMS Max.
 - 4: INSULATION RESISTANCE: 1G OHMS Min.
 - 5: DIELECTRIC WITHSTANDING VOLTAGE: 500 VAC Min.
- MECHANICAL:
- 1: INSERTION FORCE: 5N-40N.
 - 2: WITHDRAWAL FORCE: 5N-40N.
 - 3: DURABILITY: 1000 CYCLES.
- ENVIRONMENTAL:
- TEMPERATURE RANGE: -30°C TO 80°C.



PANEL CUTOUT

ANGLE	±5°	MODEL NAME: SPF-33B (PART NO.)	DESIGN: X.H.Wong 08/31'18	TITLE: XLR CABLE CONNECTORS	REV.: A
63 < L	±0.5	MAT'L: See table	CHECKED: L.W.Wu 08/31'18	DWG NO.:	
16 < L ≤ 63	±0.4	FINISH: See table	APPROVED: X.Q.Hu 08/31'18	UNIT: mm	
4 < L ≤ 16	±0.3	Q'TY: /		VIEW:	SCALE: SHEET: 1/1
L ≤ 4	±0.2				SIZE: A3

TOL TABLE:

THIS DOCUMENT IS THE PROPERTY OF TRENPRO TECHNOLOGY CO., LTD. NO PART THEREOF MAY BE REPRODUCED AND USED WITHOUT THE PRIOR WRITTEN CONSENT OF THE OWNER

广东正宝科技有限公司
GUANGDONG TRENPRO TECHNOLOGY CO., LTD.