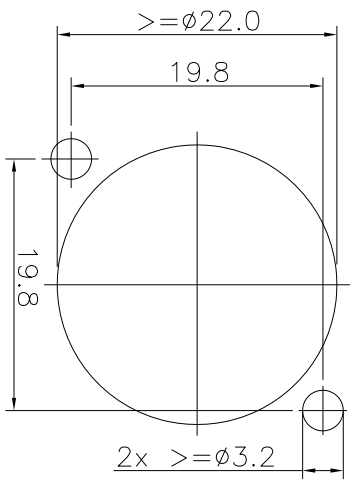
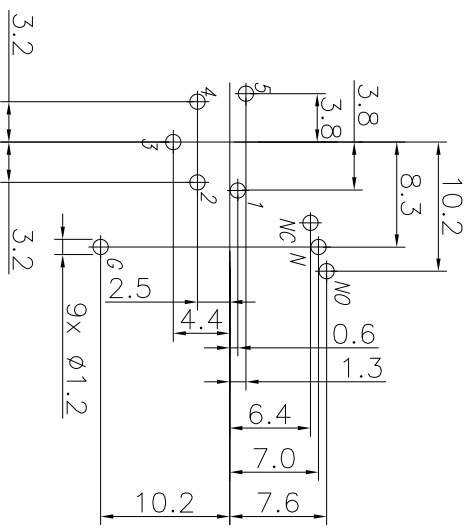
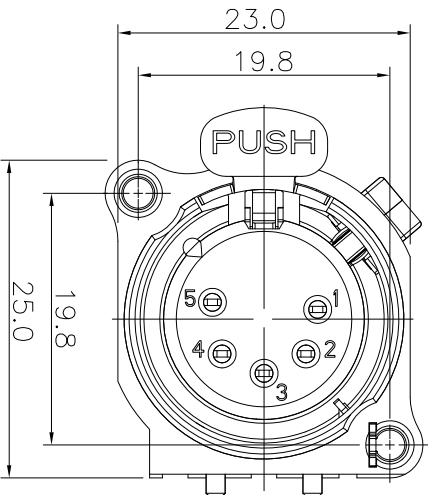
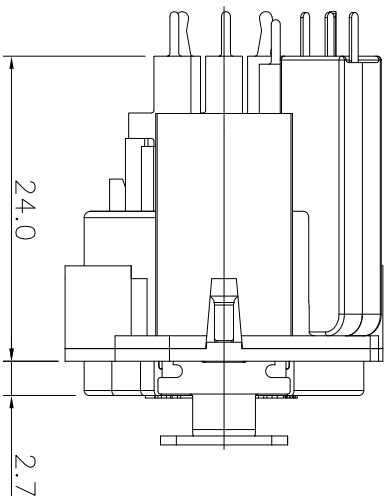


REV. A	ECN NO.	MODIFIED MARK	APPROVED
		FIRST RELEASE	




PANEL CUTOUT

- NOTES:
- ELECTRICAL:
- 1:RATED CURRENT: 3A Max.
  - 2:RATED VOLTAGE: 50V AC.
  - 3:CONTACT RESISTANCE: 30 MILLIOHMS Max.
  - AFTER TESTING:60 MILLIOHMS Max.
  - 4:INSULATION RESISTANCE: 1G OHMS Min.
  - 5:DIELECTRIC WITHSTANDING VOLTAGE: 500 VAC Min.
- MECHANICAL:
- 1:INSERTION FORCE: 5N-40N.
  - 2:WITHDRAWAL FORCE: 5N-40N.
  - 3:DURABILITY: 1000 CYCLES.
- ENVIRONMENTAL:
- TEMPERATURE RANGE: -30°C TO 80°C.

ANGLE	±5°
63 < L	±0.5
16 < L ≤ 63	±0.4
4 < L ≤ 16	±0.3
L ≤ 4	±0.2

TOL TABLE:

THIS DOCUMENT IS THE PROPERTY OF TERPRO TECHNOLOGY CO.,LTD,NO PART THEREOF MAY BE REPRODUCED AND USED WITHOUT THE PRIOR WRITTEN CONSENT OF THE OWNER

MODEL NAME: SPF5-30 (PART NO.)		TITLE: XLR CABLE CONNECTORS	
MAT'L:	DESIGN: X.H.Wong 08/31'18	DWG NO.:	
FINISH:	CHECKED: L.W.Wu 08/31'18	UNIT: mm	VIEW: 1/1
Q'TY: /	APPROVED: X.Q.Hu 08/31'18	SCALE: 5:1	SHEET: 1/1
 广东正宝科技有限公司 GUANGDONG TERPRO TECHNOLOGY CO.,LTD.		REV.:	A
		SIZE:	A3