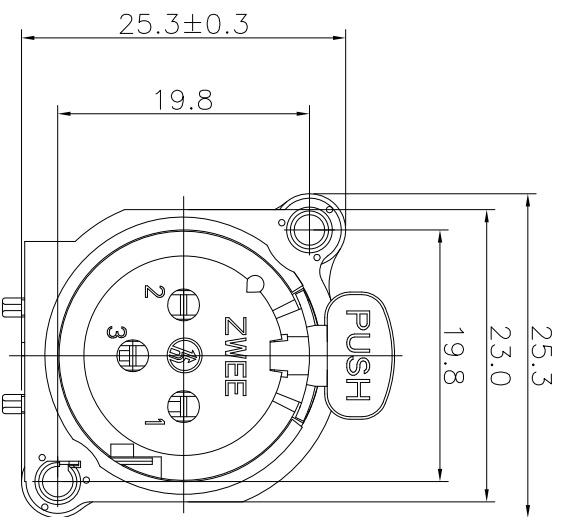
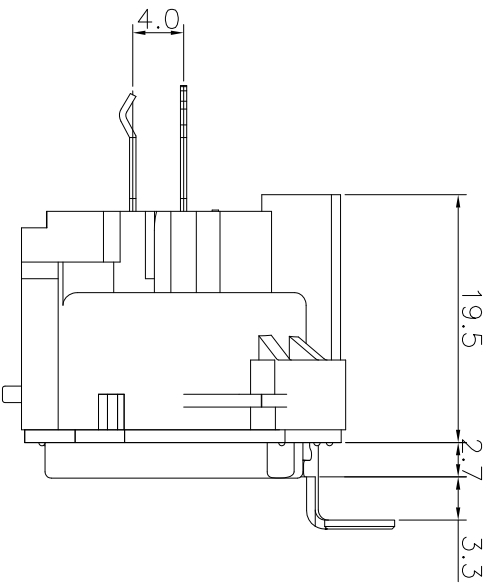
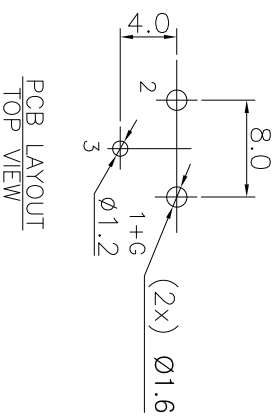
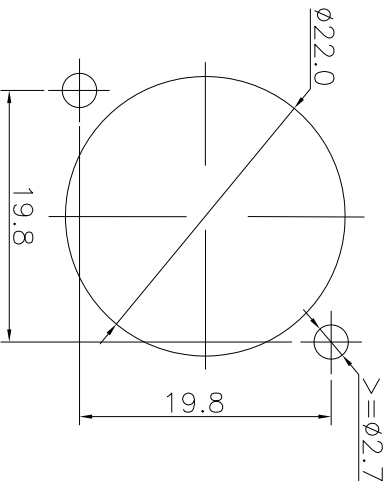


REV.	ECN NO.	MODIFIED MARK	APPROVED
A	—	FIRST RELEASE	




- NOTES:
- ELECTRICAL:
- 1: RATED CURRENT: 6A Max.
  - 2: RATED VOLTAGE: 50V AC.
  - 3: CONTACT RESISTANCE: 30 MILLIOHMS Max.
- AFTER TESTING: 60 MILLIOHMS Max.
- MECHANICAL:
- 1: INSERTION FORCE: 5N-40N.
  - 2: WITHDRAWAL FORCE: 5N-40N.
  - 3: DURABILITY: 1000 CYCLES.
- ENVIRONMENTAL:
- TEMPERATURE RANGE: -30°C TO 80°C.



PANEL CUT OUT

PCB LAYOUT  
TOP VIEW

ANGLE	±5°	MODEL NAME: SPF-22D (PART NO.)	 广东正宝科技有限公司 GUANGDONG TRENPRO TECHNOLOGY CO., LTD.	TITLE:	XLR CABLE CONNECTORS	REV.:	A
63 < L	±0.5	MAT'L:		See table	DWG NO.:		
16 < L ≤ 63	±0.4	FINISH:	See table	CHECKED: L.W.Wu	08/31'18	UNIT:	mm
4 < L ≤ 16	±0.3	Q'TY: /		APPROVED: X.Q.Hu	08/31'18	VIEW:	SCALE: 5:1
L ≤ 4	±0.2					SHEET:	1/1
TOL TABLE:		THIS DOCUMENT IS THE PROPERTY OF TRENPRO TECHNOLOGY CO., LTD., NO PART THEREOF MAY BE REPRODUCED AND USED WITHOUT THE PRIOR WRITTEN CONSENT OF THE OWNER				SIZE:	A3