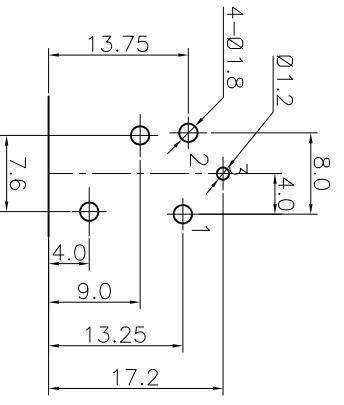
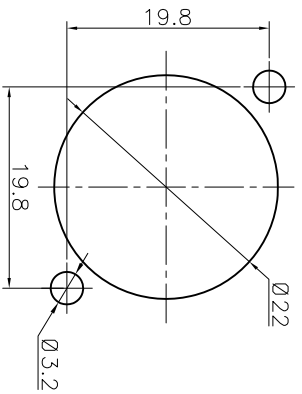
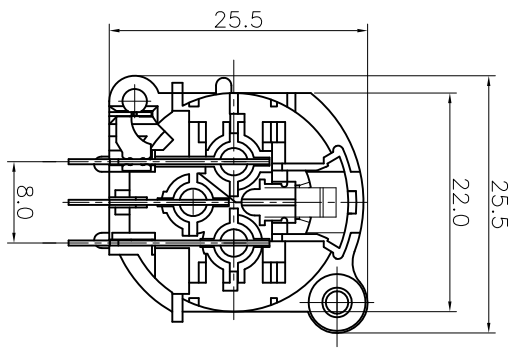
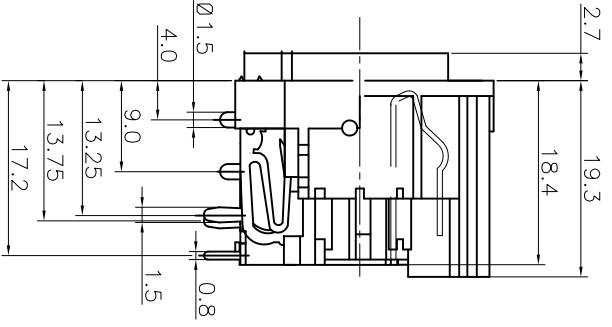
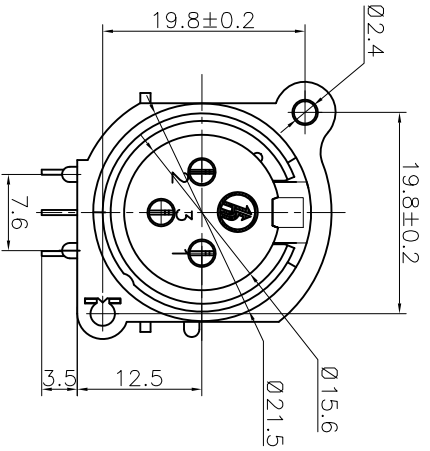



REV.	ECN NO.	MODIFIED MARK	APPROVED
A		FIRST RELEASE	



PCB LAYOUT
TOP VIEW

- NOTES:
- ELECTRICAL:
- 1:RATED CURRENT: 6A Max.
 - 2:RATED VOLTAGE: 50V AC.
 - 3:CONTACT RESISTANCE: 30 MILLIOHMS Max.
 - AFTER TESTING:60 MILLIOHMS Max.
- 4:INSULATION RESISTANCE: 1G OHMS Min.
- 5:DIELECTRIC WITHSTANDING VOLTAGE: 500 VAC Min.
- MECHANICAL:
- 1:INSERTION FORCE: 5N-40N.
 - 2:WITHDRAWAL FORCE: 5N-40N.
 - 3:DURABILITY: 1000 CYCLES.
- ENVIRONMENTAL:
- TEMPERATURE RANGE: -30°C TO 80°C.

ANGLE	±5°	MODEL NAME: SPF-07N (PART NO.)	 广东正宝科技有限公司 GUANGDONG TERAPRO TECHNOLOGY CO., LTD.	TITLE:	XLR CABLE CONNECTORS	REV.:	A
63 < L	±0.5	MAT'L:		DESIGN: X.H.Wong 08/31'18	DWG NO.:		VIEW:
16 < L ≤ 63	±0.4	FINISH:	CHECKED: L.W.Wu 08/31'18	UNIT:	mm	VIEW:	SCALE: SHEET: SIZE:
4 < L ≤ 16	±0.3	Q'TY./	APPROVED: X.Q.Hu 08/31'18	UNIT:	mm	VIEW:	SCALE: SHEET: SIZE:
L ≤ 4	±0.2	TOL TABLE:		UNIT:	mm	VIEW:	SCALE: SHEET: SIZE:
L ≤ 4		THIS DOCUMENT IS THE PROPERTY OF TERAPRO TECHNOLOGY CO., LTD. NO PART THEREOF MAY BE REPRODUCED AND USED WITHOUT THE PRIOR WRITTEN CONSENT OF THE OWNER		UNIT:	mm	VIEW:	SCALE: SHEET: SIZE: