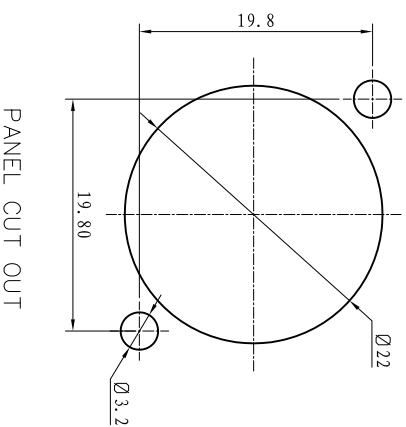
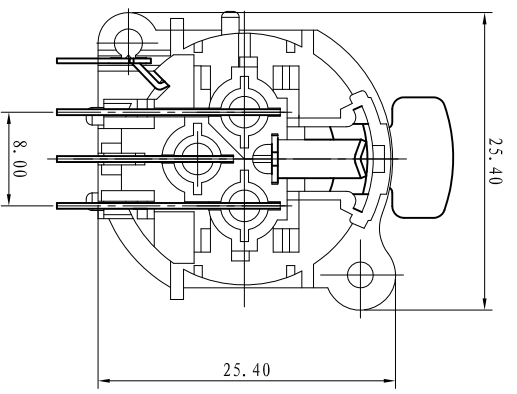
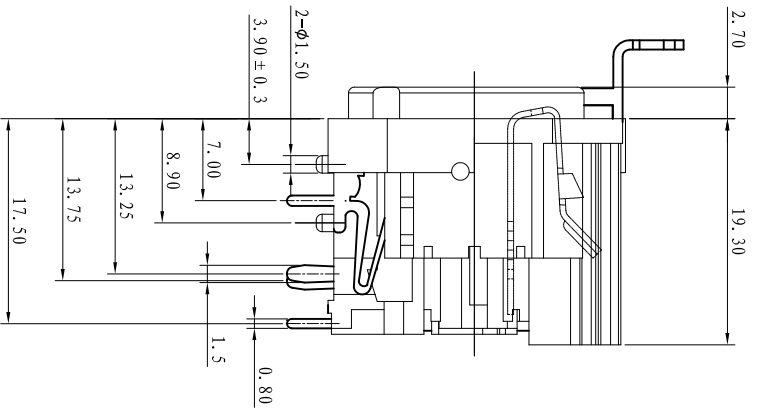
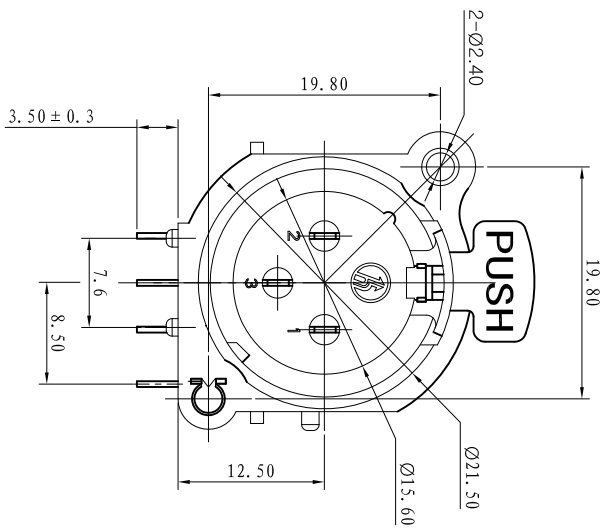
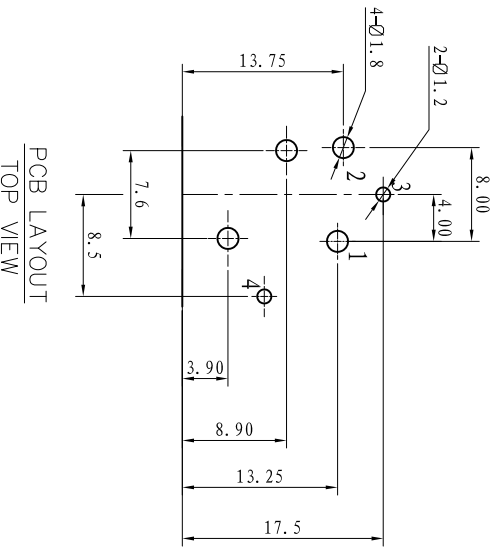


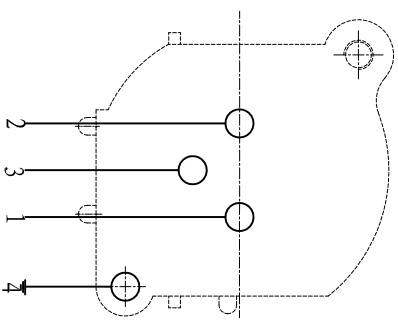
REV.	ECN NO.	MODIFIED MARK	APPROVED
A		FIRST RELEASE	



PANEL CUT OUT



PCB LAYOUT  
TOP VIEW



SCHEMATIC

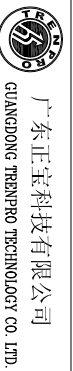
- NOTES:
- ELECTRICAL:
- 1: RATED CURRENT: 3A Max.
  - 2: RATED VOLTAGE: 50V AC.
  - 3: CONTACT RESISTANCE: 30 MILLIOHMS Max.
  - 4: INSULATION RESISTANCE: 1G OHMS Min.
  - 5: DIELECTRIC WITHSTANDING VOLTAGE: 500 VAC Min.
- MECHANICAL:
- 1: INSERTION FORCE: 5N-40N.
  - 2: WITHDRAWAL FORCE: 5N-40N.
  - 3: DURABILITY: 1000 CYCLES.
- ENVIRONMENTAL:
- TEMPERATURE RANGE: -30°C TO 80°C.

ANGLE	±5°
63 < L	±0.5
16 < L ≤ 63	±0.4
4 < L ≤ 16	±0.3
L ≤ 4	±0.2

MODEL NAME: SPF-07MP (PART NO.)		TITLE: XLR CABLE CONNECTORS	
DESIGN: Z.F.Lion 08/14/18		DWG NO.:	
FINISH: See table		VIEW: 5:1	
Q'TY: /		SCALE: SHEET: 1/1	
APPROVED: Q.Hu 08/14/18		SIZE: A3	

TOL. TABLE:

THIS DOCUMENT IS THE PROPERTY OF ZHENON ELECTRONICS CO., LTD. AND THEREOF MAY NOT BE REPRODUCED AND USED WITHOUT THE PRIOR WRITTEN CONSENT OF THE OWNER



广东正宝科技有限公司  
GUANGDONG ZHENNONG TECHNOLOGY CO., LTD.