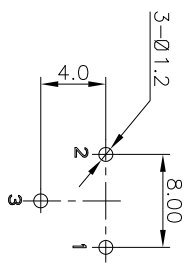
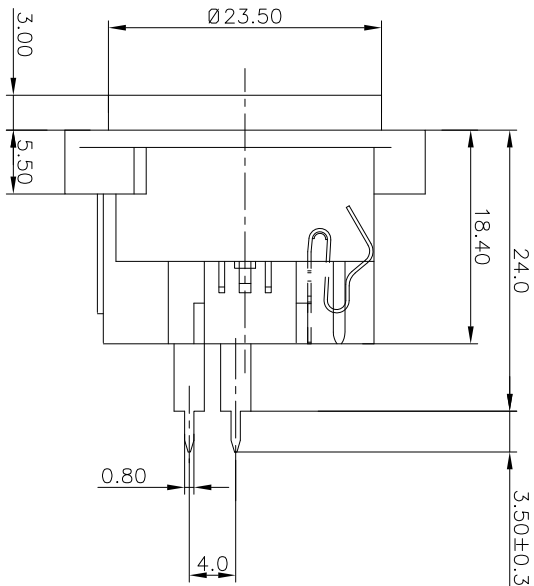
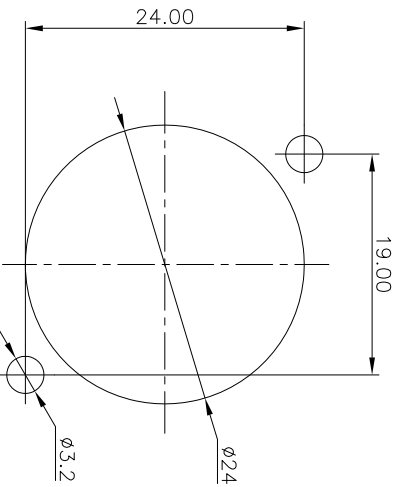
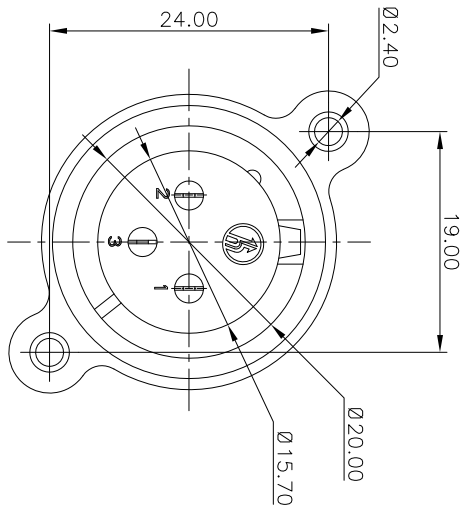


REV.	ECN NO.	MODIFIED MARK	APPROVED
A		FIRST RELEASE	



NOTES:
 ELECTRICAL:
 1: RATED CURRENT: 6A Max.
 2: RATED VOLTAGE: 50V AC.
 3: CONTACT RESISTANCE: 30 MILLIOHMS Max.
 AFTER TESTING: 60 MILLIOHMS Max.
 4: INSULATION RESISTANCE: 1G OHMS Min.
 5: DIELECTRIC WITHSTANDING VOLTAGE: 500 VAC Min.

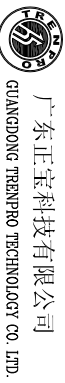
MECHANICAL:
 1: INSERTION FORCE: 5N-40N.
 2: WITHDRAWAL FORCE: 5N-40N.
 3: DURABILITY: 1000 CYCLES.
 ENVIRONMENTAL:
 TEMPERATURE RANGE: -30°C TO 80°C.

PCB LAYOUT
TOP VIEW

ANGLE	±5°
63 < L	±0.5
16 < L ≤ 63	±0.4
4 < L ≤ 16	±0.3
L ≤ 4	±0.2

TOL TABLE:
 THIS DOCUMENT IS THE PROPERTY OF
 TRENPRO TECHNOLOGY CO., LTD., NO PART
 THEREOF MAY BE REPRODUCED AND
 USED WITHOUT THE PRIOR WRITTEN
 CONSENT OF THE OWNER

MODEL NAME: SPF-06U (PART NO.)	DESIGN: X.H.Wong	TITLE: XLR CABLE CONNECTORS
CHECKED: L.W.Wu	DATE: 08/16/18	DWG NO.:
FINISH: See table	QTY: /	APPROVED: Q.Hu
DATE: 08/16/18	UNIT: mm	VIEW: 5:1
SCALE: 5:1	SHEET: 1/1	SIZE: A3



广东正宝科技有限公司
 GUANGDONG TRENPRO TECHNOLOGY CO., LTD.