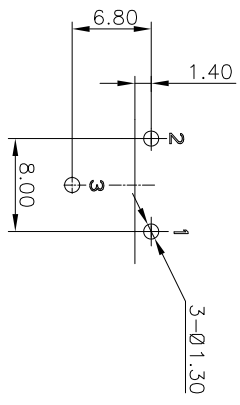
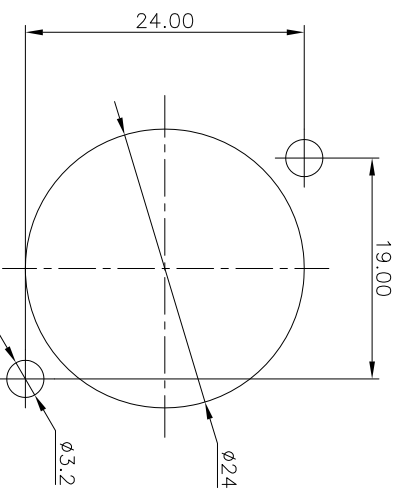
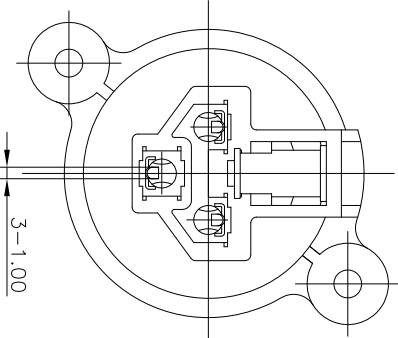
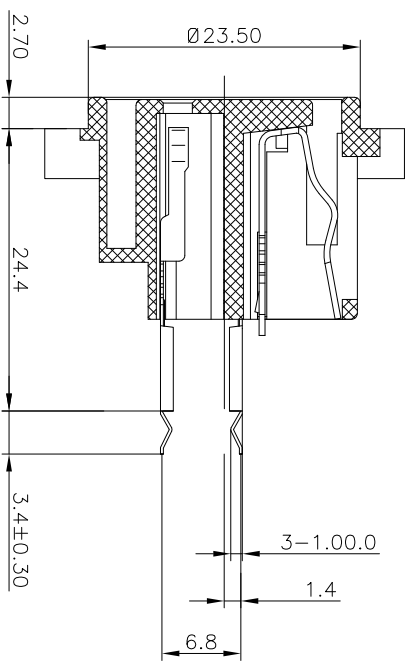
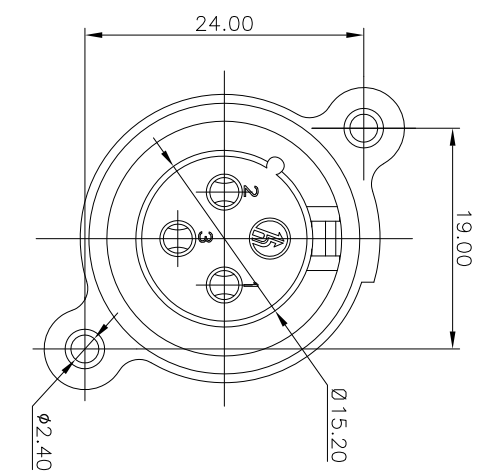


REV.	ECN NO.	MODIFIED MARK	APPROVED
A		FIRST RELEASE	



- NOTES:
- ELECTRICAL:
- 1:RATED CURRENT: 6A Max.
  - 2:RATED VOLTAGE: 50V AC.
  - 3:CONTACT RESISTANCE: 30 MILLIOHMS Max.
  - AFTER TESTING:60 MILLIOHMS Max.
  - 4:INSULATION RESISTANCE: 1G OHMS Min.
  - 5:DIELECTRIC WITHSTANDING VOLTAGE: 500 VAC Min.
- MECHANICAL:
- 1:INSERTION FORCE: 5N-40N.
  - 2:WITHDRAWAL FORCE: 5N-40N.
  - 3:DURRABILITY: 1000 CYCLES.
- ENVIRONMENTAL:
- TEMPERATURE RANGE: -30°C TO 80°C.

PANEL CUT OUT

PCB LAYOUT  
TOP VIEW

ANGLE	±5°
63 < L	±0.5
16 < L ≤ 63	±0.4
4 < L ≤ 16	±0.3
L ≤ 4	±0.2

TOL TABLE:  
THIS DOCUMENT IS THE PROPERTY OF  
TRENPRO TECHNOLOGY CO., LTD.,NO PART  
HEREOF MAY BE REPRODUCED AND  
USED WITHOUT THE PRIOR WRITTEN  
CONSENT OF THE OWNER

MODEL NAME: SPF-06H  
(PART NO.)

广东正宝科技有限公司  
GUANGDONG TRENPRO TECHNOLOGY CO., LTD.

DESIGN: X.H.Wong 08/16'18 TITLE: XLR CABLE CONNECTORS

CHECKED: L.W.Wu 08/16'18 DWG NO.:

APPROVED: Q.Hu 08/16'18 UNIT: mm VIEW: SCALE: SHEET: REV.:  
See table A

Q'TY: / APPROVED: Q.Hu 08/16'18 UNIT: mm VIEW: SCALE: SHEET: REV.:  
See table A