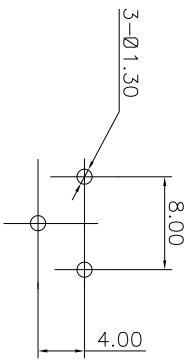
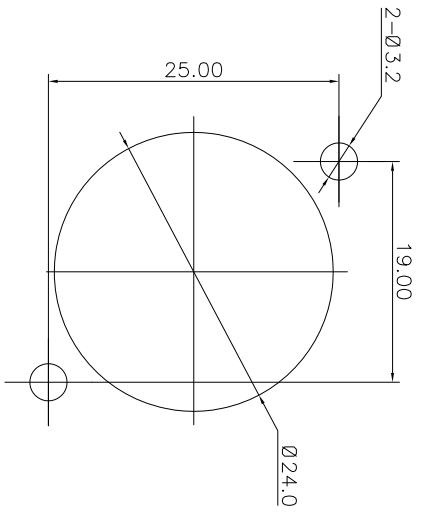
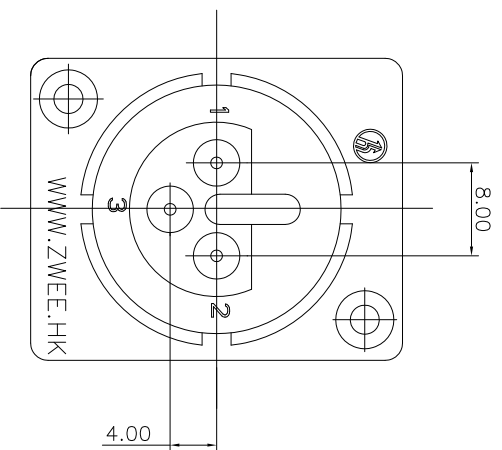
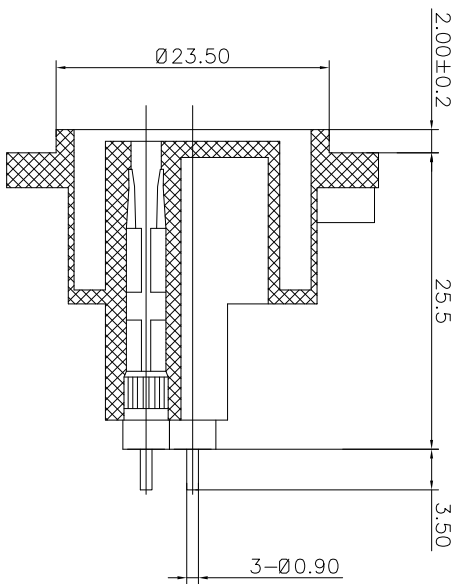
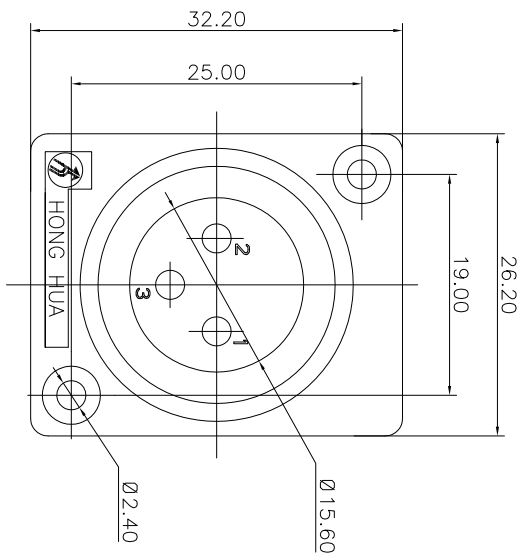




REV.	ECN NO.	MODIFIED MARK	APPROVED
A		FIRST RELEASE	



PCB LAYOUT
TOP VIEW

NOTES:
ELECTRICAL:
1:RATED CURRENT: 6A Max.
2:RATED VOLTAGE: 50V AC.
3:CONTACT RESISTANCE: 30 MILLIOHMS Max.
AFTER TESTING:60 MILLIOHMS Max.
4:INSULATION RESISTANCE: 1G OHMS Min.
5:DIELECTRIC WITHSTANDING VOLTAGE: 500 VAC Min.
MECHANICAL:
1:INSERTION FORCE: 5N-40N.
2:WITHDRAWAL FORCE: 5N-40N.
3:DURABILITY: 1000 CYCLES.
ENVIRONMENTAL:
TEMPERATURE RANGE: -30°C TO 80°C.

ANGLE	±5°	MODEL NAME: SPF-01DL	 广东正宝科技有限公司 GUANGDONG TREMPRO TECHNOLOGY CO. LTD.	TITLE: XLR CABLE CONNECTORS	REV.: A
63 < L	±0.5	(PART NO.)			
16 < L ≤ 63	±0.4	MAT'L:	DESIGN: X.H.Wong 08/16'18	DWG NO.:	REV.:
4 < L ≤ 16	±0.3	FINISH:	CHECKED: L.W.Wu 08/16'18	UNIT: mm	SCALE: 5:1
L ≤ 4	±0.2	Q'TY: /	APPROVED: Q.Hu 08/16'18	VIEW: 	SHEET: 1/1
TOL TABLE:		THIS DOCUMENT IS THE PROPERTY OF TREMPRO TECHNOLOGY CO. LTD.,NO PART THEREOF MAY BE REPRODUCED AND USED WITHOUT THE PRIOR WRITTEN CONSENT OF THE OWNER			