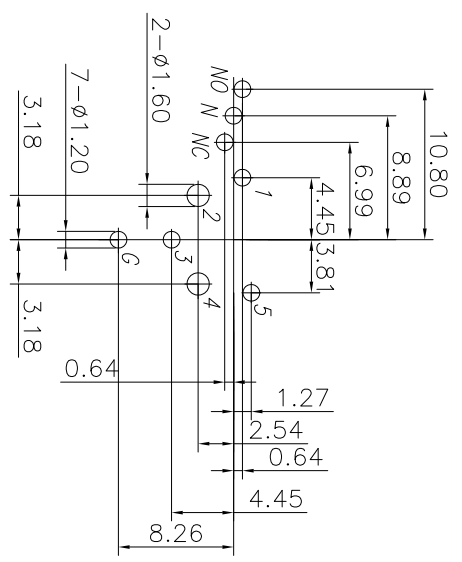
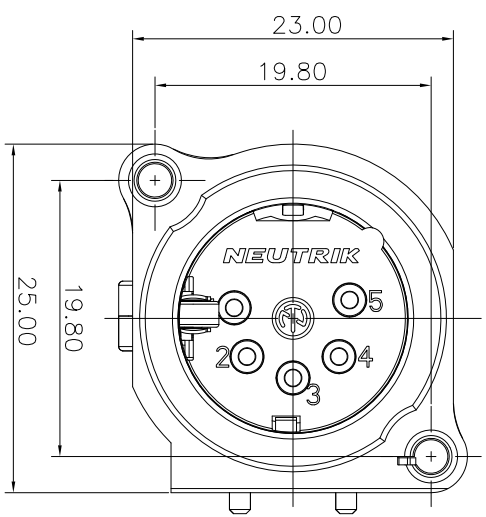
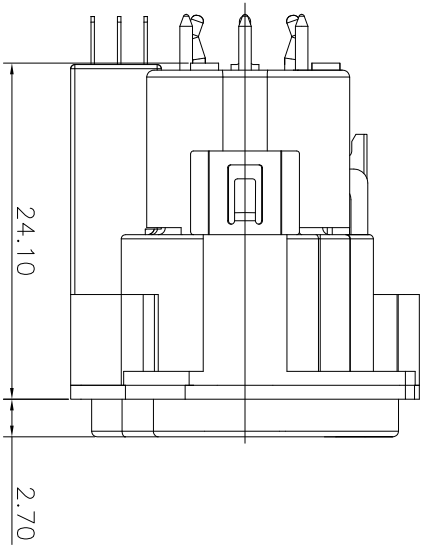
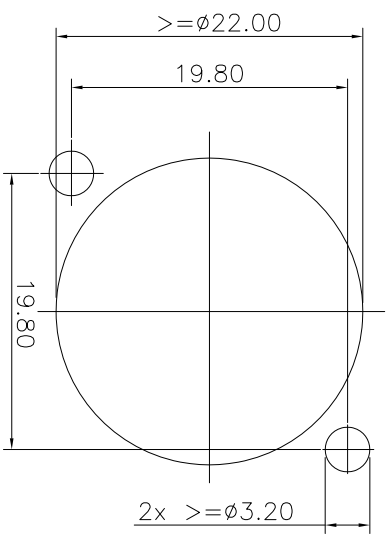


REV. A	ECN NO.	MODIFIED MARK	APPROVED
		FIRST RELEASE	



PCB LAYOUT  
TOP VIEW

- NOTES:
- ELECTRICAL:
- 1: RATED CURRENT: 3A Max.
  - 2: RATED VOLTAGE: 50V AC.
  - 3: CONTACT RESISTANCE: 30 MILLIOHMS Max.
  - 4: INSULATION RESISTANCE: 1G OHMS Min.
  - 5: DIELECTRIC WITHSTANDING VOLTAGE: 500 VAC Min.
- MECHANICAL:
- 1: INSERTION FORCE: 5N-40N.
  - 2: WITHDRAWAL FORCE: 5N-40N.
  - 3: DURABILITY: 1000 CYCLES.
- ENVIRONMENTAL:
- TEMPERATURE RANGE: -30°C TO 80°C.



PANEL CUT OUT

ANGLE	±5°
63 < L	±0.5
16 < L ≤ 63	±0.4
4 < L ≤ 16	±0.3
L ≤ 4	±0.2

TOL TABLE:

THIS DOCUMENT IS THE PROPERTY OF TRENPRO TECHNOLOGY CO., LTD. NO PART THEREOF MAY BE REPRODUCED AND USED WITHOUT THE PRIOR WRITTEN CONSENT OF THE OWNER

MODEL NAME: SPM5-30  
(PART NO.)

广东正宝科技有限公司  
GUANGDONG TRENPRO TECHNOLOGY CO. LTD.

DESIGN: X.H.Wong 08/16/18 TITLE: XLR CABLE CONNECTORS

CHECKED: L.W.Wu 08/16/18 DWG NO.:

QTY: / APPROVED: Q.Hu 08/16/18 UNIT: mm VIEW: SCALE: SHEET: 1/1 REV.: A3