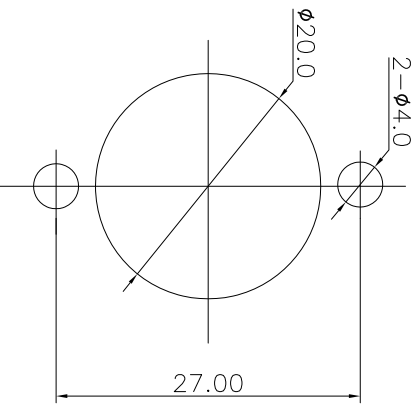
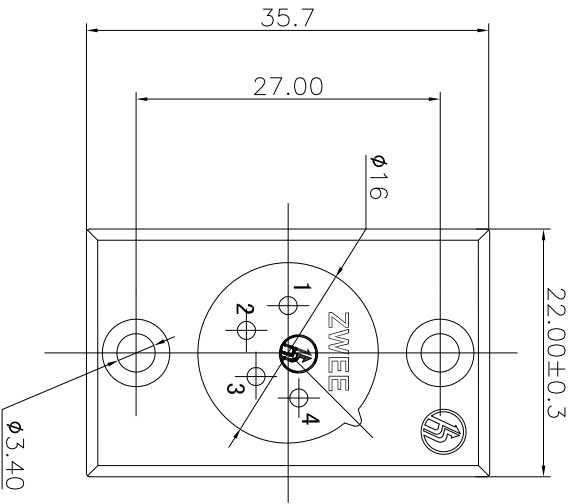
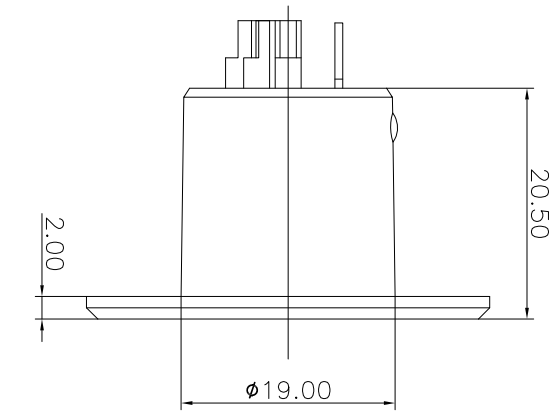
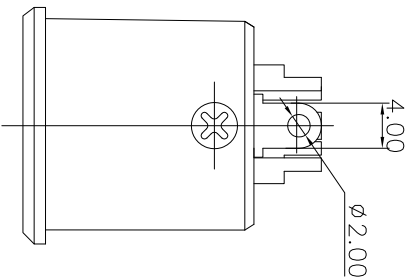


REV.	ECN NO.	MODIFIED MARK	APPROVED
A	—	FIRST RELEASE	



PANEL CUT OUT

- NOTES:
- ELECTRICAL:
- 1:RATED CURRENT: 6A Max.
 - 2:RATED VOLTAGE: 50V AC.
 - 3:CONTACT RESISTANCE: 30 MILLIOHMS Max.
 - 4:INSULATION RESISTANCE: 1G OHMS Min.
 - 5:DIELECTRIC WITHSTANDING VOLTAGE: 500 VAC Min.
- MECHANICAL:
- 1:INSERTION FORCE: 5N-40N.
 - 2:WITHDRAWAL FORCE: 5N-40N.
 - 3:DURABILITY: 1000 CYCLES.
- ENVIRONMENTAL:
- TEMPERATURE RANGE: -30°C TO 80°C.

ANGLE	±5°
63 < L	±0.5
16 < L ≤ 63	±0.4
4 < L ≤ 16	±0.3
L ≤ 4	±0.2

TOL TABLE:		THIS DOCUMENT IS THE PROPERTY OF TEANPRO TECHNOLOGY CO. LTD. NO PART THEREOF MAY BE REPRODUCED AND USED WITHOUT THE PRIOR WRITTEN CONSENT OF THE OWNER	
MODEL NAME: SPM4-20 (PART NO.)	DESIGN: X.H.Wang 09/08'18	CHECKED: L.W.Wu 09/08'18	APPROVED: X.Q.Hu 09/08'18
MAT'L: See table	TITLE: XLR CABLE CONNECTORS	DWG NO.:	REV.: A
FINISH: See table	UNIT: mm	VIEW:	SCALE: 5:1
Q'TY: /	DATE: 09/08'18	SHEET: 1/1	SIZE: A3



广东正宝科技有限公司
GUANGDONG TEANPRO TECHNOLOGY CO. LTD.