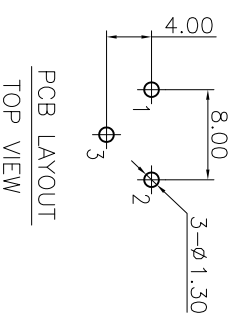
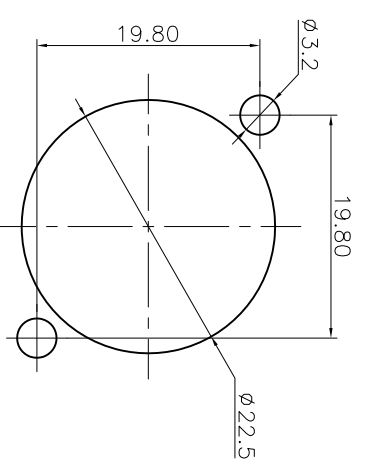
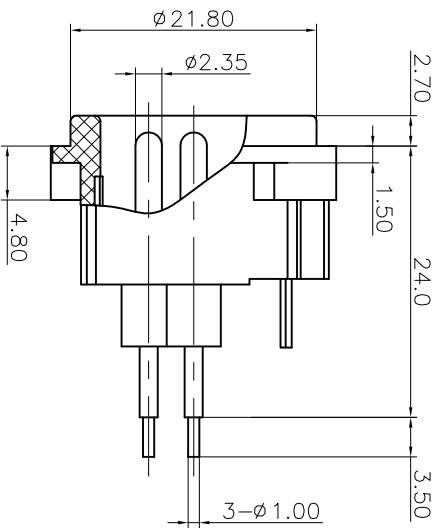
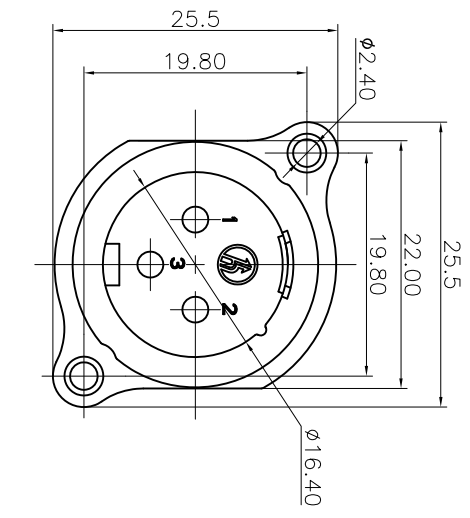


REV.	ECN NO.	MODIFIED MARK	APPROVED
A		FIRST RELEASE	



- NOTES:
- ELECTRICAL:
- 1:RATED CURRENT: 6A Max.
  - 2:RATED VOLTAGE: 50V AC.
  - 3:CONTACT RESISTANCE: 30 MILLIOHMS Max. AFTER TESTING:60 MILLIOHMS Max.
  - 4:INSULATION RESISTANCE: 1G OHMS Min.
  - 5:DIELECTRIC WITHSTANDING VOLTAGE: 500 VAC Min.
- MECHANICAL:
- 1:INSERTION FORCE: 5N-40N.
  - 2:WITHDRAWAL FORCE: 5N-40N.
  - 3:DURABILITY: 1000 CYCLES.
  - ENVIRONMENTAL:
  - TEMPERATURE RANGE: -30°C TO 80°C.

ANGLE	±5°	MODEL NAME: SPM-06A	 广东正宝科技有限公司 GUANGDONG TRENPRO TECHNOLOGY CO. LTD.
63 < L	±0.5	(PART NO.)	
16 < L ≤ 63	±0.4		
4 < L ≤ 16	±0.3		
L ≤ 4	±0.2		
TOL TABLE:		MAT'L:	TITLE: XLR CABLE CONNECTORS
THIS DOCUMENT IS THE PROPERTY OF TRENPRO TECHNOLOGY CO. LTD. NO PART HEREOF MAY BE REPRODUCED AND USED WITHOUT THE PRIOR WRITTEN CONSENT OF THE OWNER		FINISH:	DWG NO.:
		See table	
		Q'TY: /	APPROVED: X.Q.Hu 09/08'18

1 2 3 4 5 6 7 8

A B C D E F G H

UNIT: mm

SCALE: 5:1

SHEET: 1/1

SIZE: A3