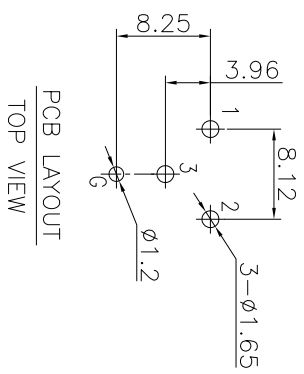
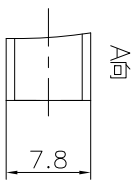
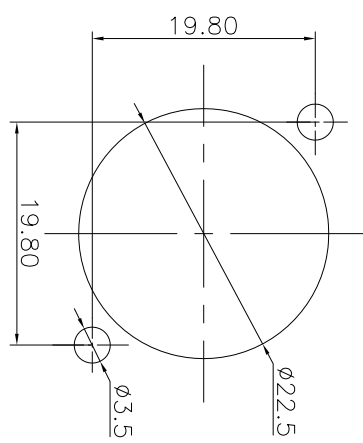
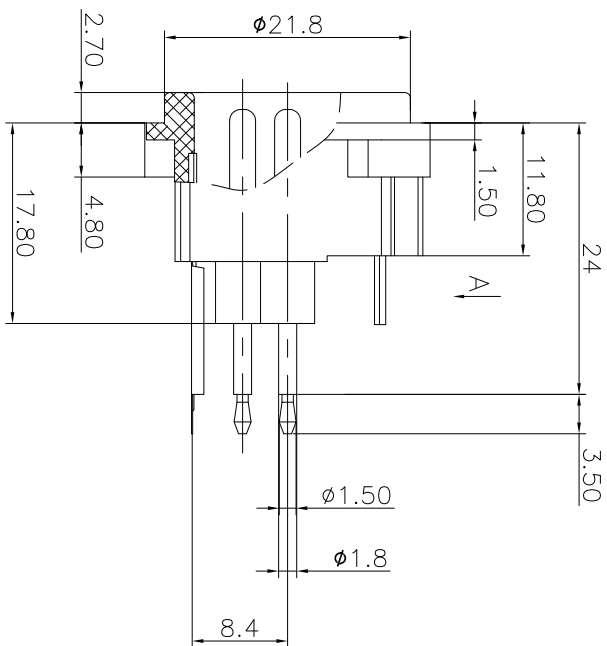
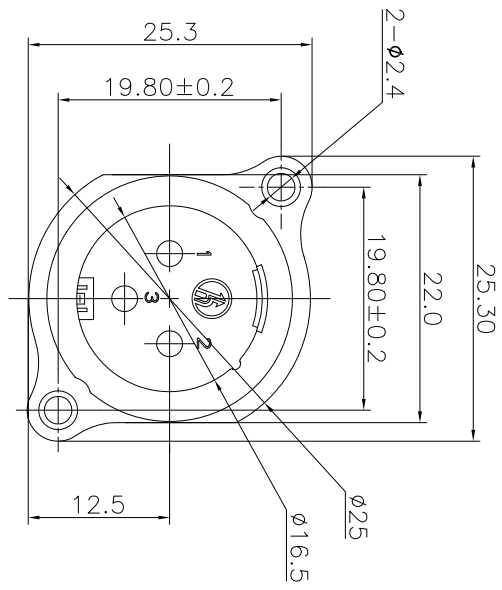


REV.	ECN NO.	MODIFIED MARK	APPROVED
A		FIRST RELEASE	



- NOTES:
- ELECTRICAL:
- 1:RATED CURRENT: 6A Max.
  - 2:RATED VOLTAGE: 50V AC.
  - 3:CONTACT RESISTANCE: 30 MILLIOHMS Max. AFTER TESTING:60 MILLIOHMS Max.
  - 4:INSULATION RESISTANCE: 1G OHMS Min.
  - 5:DIELECTRIC WITHSTANDING VOLTAGE: 500 VAC Min.
- MECHANICAL:
- 1:INSERTION FORCE: 5N-40N.
  - 2:WITHDRAWAL FORCE: 5N-40N.
  - 3:DURABILITY: 1000 CYCLES.
- ENVIRONMENTAL:
- TEMPERATURE RANGE: -30°C TO 80°C.

ANGLE	±5°
63 < L	±0.5
16 < L ≤ 63	±0.4
4 < L ≤ 16	±0.3
L ≤ 4	±0.2

TOL TABLE:

THIS DOCUMENT IS THE PROPERTY OF  
TEANPRO TECHNOLOGY CO. LTD.  
NO PART THEREOF MAY BE REPRODUCED  
AND USED WITHOUT THE PRIOR WRITTEN  
CONSENT OF THE OWNER

MODEL NAME: SPM-06A (PART NO.)		TITLE: XLR CABLE CONNECTORS	
DESIGN: X.H.Wong 09/08'18		DWG NO.:	
CHECKED: L.W.Wu 09/08'18		REV.: A	
Q'TY: /	APPROVED: X.Q.Hu 09/08'18	UNIT: mm	SCALE: 5:1
FINISH: See table		VIEW:	SHEET: 1/1
MATERIAL: See table		SIZE: A3	

