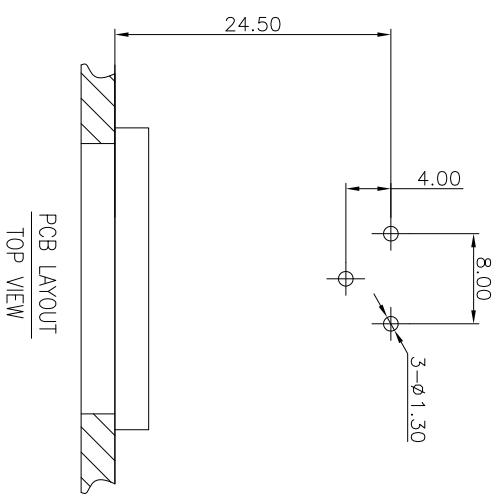
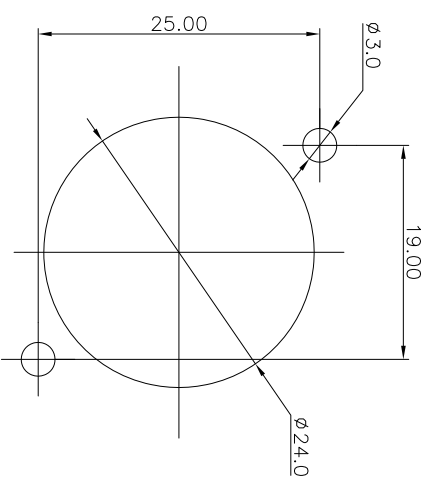
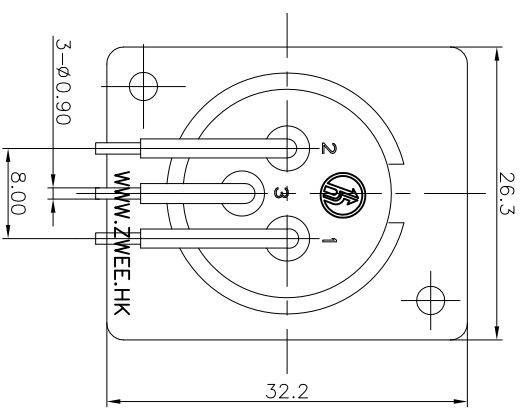
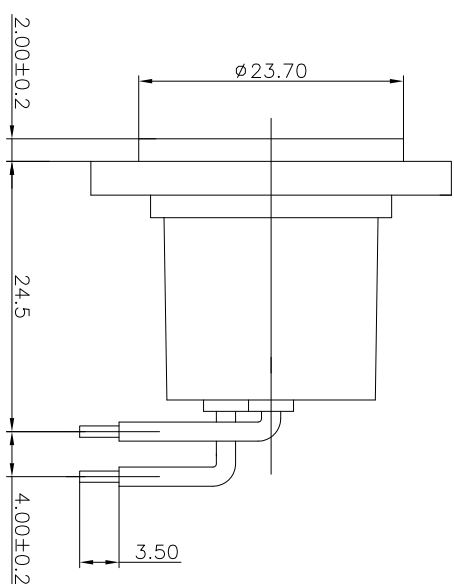
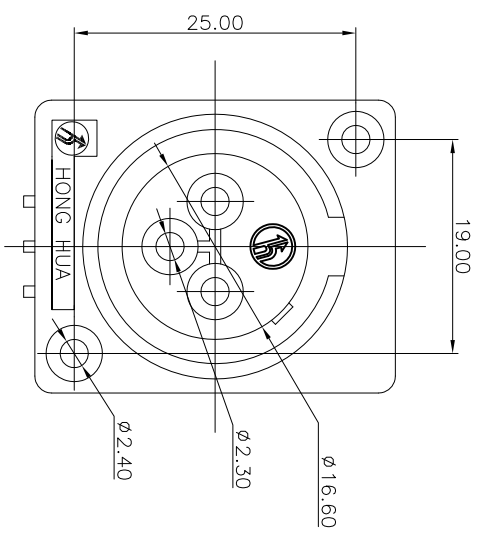


REV.	ECN NO.	MODIFIED MARK	APPROVED
A		FIRST RELEASE	



NOTES:

ELECTRICAL:

- 1:RATED CURRENT: 6A Max.
- 2:RATED VOLTAGE: 50V AC.
- 3:CONTACT RESISTANCE: 30 MILLIOHMS Max. AFTER TESTING;60 MILLIOHMS Max.
- 4:INSULATION RESISTANCE: 1G OHMS Min.
- 5:DIELECTRIC WITHSTANDING VOLTAGE: 500 VAC Min.

MECHANICAL:

- 1:INSERTION FORCE: 5N-40N.
- 2:WITHDRAWAL FORCE: 5N-40N.
- 3:DURRABILITY: 1000 CYCLES.

ENVIRONMENTAL:

TEMPERATURE RANGE: -30°C TO 80°C.

PANEL CUT OUT

PCB LAYOUT  
TOP VIEW

ANGLE	±5°
63 < L	±0.5
16 < L ≤ 63	±0.4
4 < L ≤ 16	±0.3
L ≤ 4	±0.2

TOL TABLE:

THIS DOCUMENT IS THE PROPERTY OF  
TEANPRO TECHNOLOGY CO., LTD.  
NO PART THEREOF MAY BE REPRODUCED  
AND USED WITHOUT THE PRIOR WRITTEN  
CONSENT OF THE OWNER

MODEL NAME: SPM-02A  
(PART NO.)

广东正宝科技有限公司  
GUANGDONG TEANPRO TECHNOLOGY CO., LTD.

DESIGN: X.H.Wong 08/28'18 TITLE: XLR CABLE CONNECTORS

CHECKED: L.W.Wu 08/28'18 DWG NO.:

Q'TY: / APPROVED: X.Q.Hu 08/28'18 UNIT: mm VIEW: SCALE: SHEET: REV.:  
1/1 5:1 1/1 A3