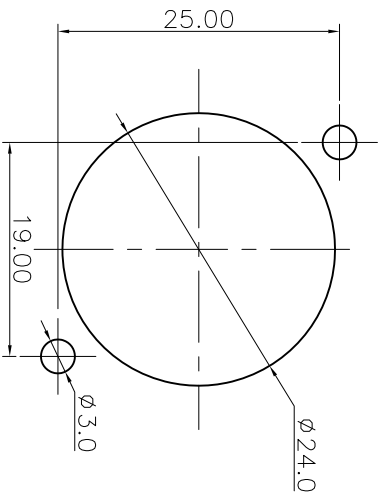
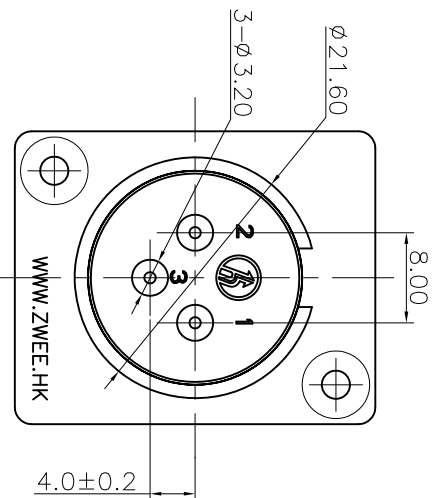
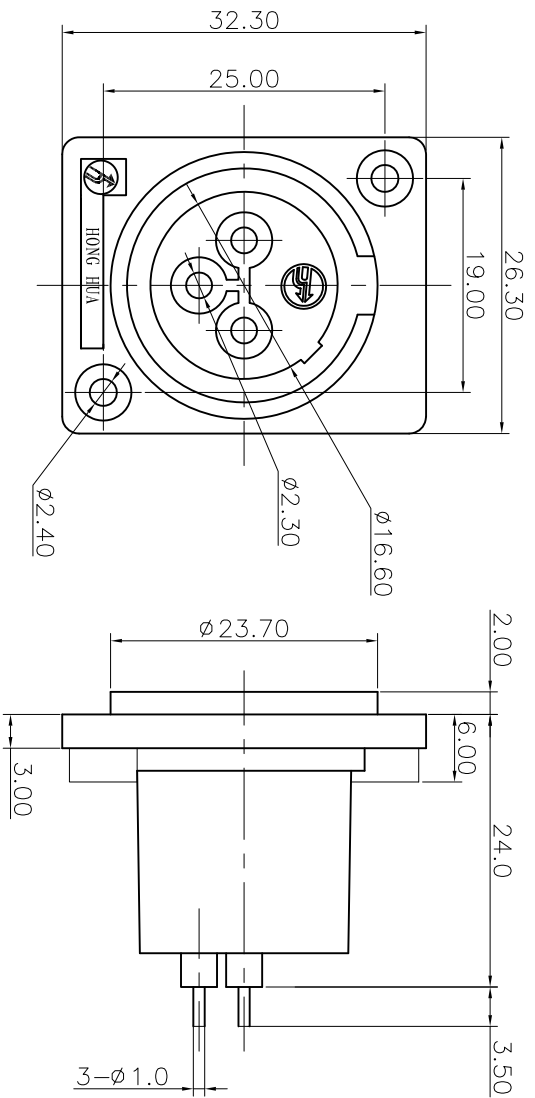
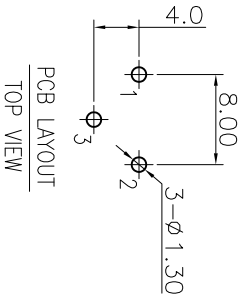


REV.	ECN NO.	MODIFIED MARK	APPROVED
A		FIRST RELEASE	



PANEL CUT OUT



PCB LAYOUT  
TOP VIEW


- NOTES:
- ELECTRICAL:
- 1: RATED CURRENT: 6A Max.
  - 2: RATED VOLTAGE: 50V AC.
  - 3: CONTACT RESISTANCE: 30 MILLIOHMS Max. AFTER TESTING: 60 MILLIOHMS Max.
  - 4: INSULATION RESISTANCE: 1G OHMS Min.
  - 5: DIELECTRIC WITHSTANDING VOLTAGE: 500 VAC Min.
- MECHANICAL:
- 1: INSERTION FORCE: 5N-40N.
  - 2: WITHDRAWAL FORCE: 5N-40N.
  - 3: DURABILITY: 1000 CYCLES.
- ENVIRONMENTAL:
- TEMPERATURE RANGE: -30°C TO 80°C.

ANGLE	±5°
63 < L	±0.5
16 < L ≤ 63	±0.4
4 < L ≤ 16	±0.3
L ≤ 4	±0.2

TOL TABLE:

THIS DOCUMENT IS THE PROPERTY OF  
TEANPRO TECHNOLOGY CO., LTD.  
NO PART THEREOF MAY BE REPRODUCED  
AND USED WITHOUT THE PRIOR WRITTEN  
CONSENT OF THE OWNER

MODEL NAME: SPM-01C (PART NO.)	DESIGN: X.H.Wong	CHECKED: L.W.Wu	APPROVED: X.Q.Hu
MAT'L: See table	DESIGN: 08/28'18	CHECKED: 08/28'18	APPROVED: 08/28'18
FINISH: See table	TITLE: XLR CABLE CONNECTORS	DWG NO.:	UNIT: mm
Q'TY: /			VIEW: 5:1
			SCALE: SHEET: 1/1
			SIZE: A3


 广东正宝科技有限公司  
 GUANGDONG TEANPRO TECHNOLOGY CO., LTD.