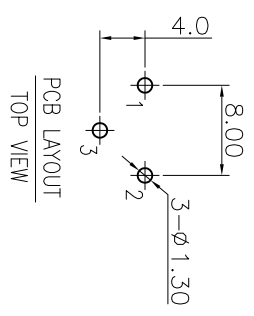
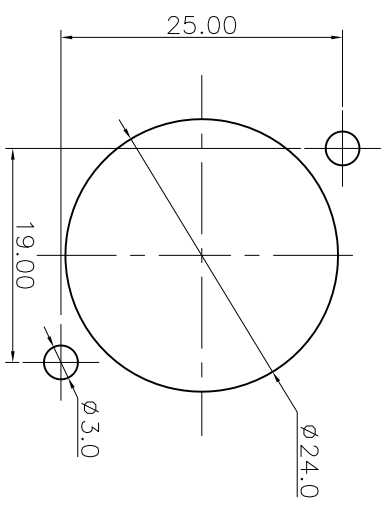
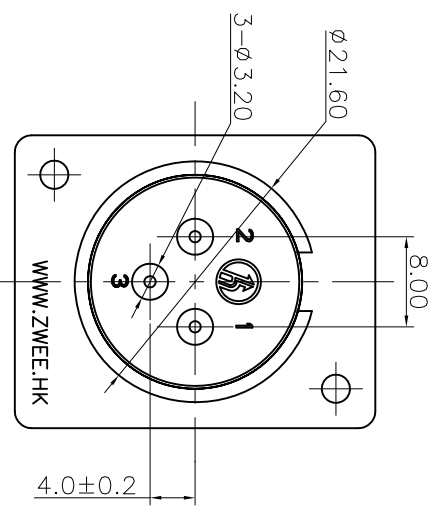
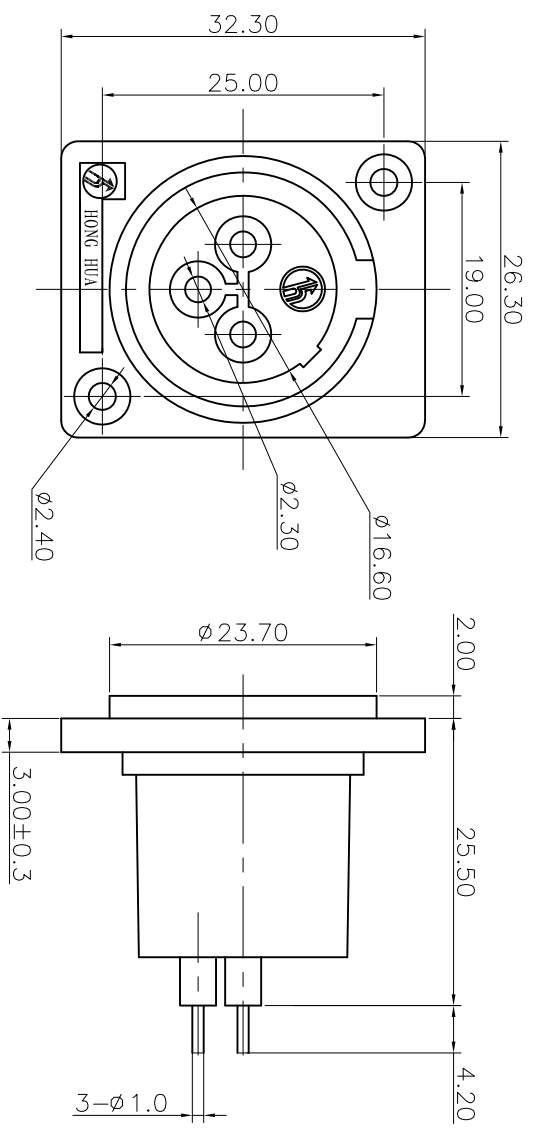


REV.	ECN NO.	MODIFIED MARK	APPROVED
A		FIRST RELEASE	



NOTES:

ELECTRICAL:

- 1: RATED CURRENT: 6A Max.
- 2: RATED VOLTAGE: 50V AC.
- 3: CONTACT RESISTANCE: 30 MILLIOHMS Max. AFTER TESTING: 60 MILLIOHMS Max.
- 4: INSULATION RESISTANCE: 1G OHMS Min.
- 5: DIELECTRIC WITHSTANDING VOLTAGE: 500 VAC Min.

MECHANICAL:

- 1: INSERTION FORCE: 5N-40N.
- 2: WITHDRAWAL FORCE: 5N-40N.
- 3: DURABILITY: 1000 CYCLES.

ENVIRONMENTAL:

TEMPERATURE RANGE: -30°C TO 80°C.

PANEL CUT OUT

PCB LAYOUT
TOP VIEW

ANGLE	±5°
63 < L	±0.5
16 < L ≤ 63	±0.4
4 < L ≤ 16	±0.3
L ≤ 4	±0.2

TOL TABLE:

THIS DOCUMENT IS THE PROPERTY OF
TEANPRO TECHNOLOGY CO., LTD.
NO PART THEREOF MAY BE REPRODUCED
AND USED WITHOUT THE PRIOR WRITTEN
CONSENT OF THE OWNER

MODEL NAME: SPM-01AL (PART NO.)	DESIGN: X.H.Wong 08/28'18	TITLE: XLR CABLE CONNECTORS
FINISH: See table	CHECKED: L.W.Wu 08/28'18	DWG NO.:
QTY: /	APPROVED: X.Q.Hu 08/28'18	UNIT: mm

广东正宝科技有限公司
GUANGDONG TEANPRO TECHNOLOGY CO., LTD.

VIEW:	SCALE: 5:1	SHEET: 1/1	SIZE: A3
REV.: A			