

REV.	ECN NO.	MODIFIED MARK	APPROVED
A	—	FIRST RELEASE	

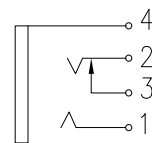
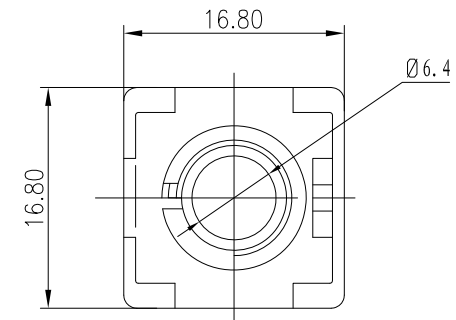
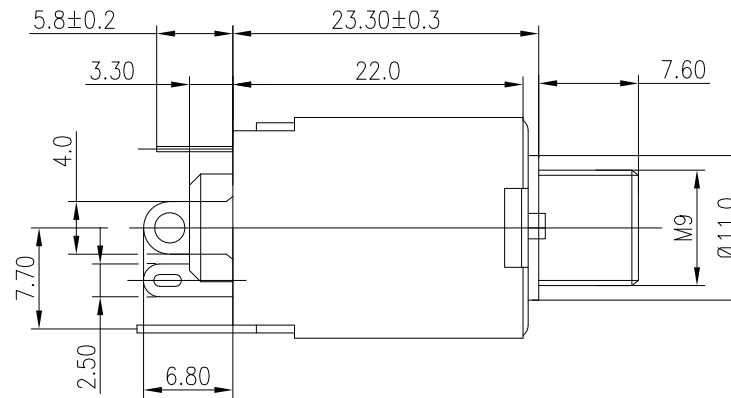
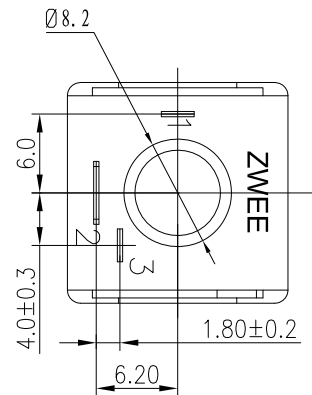
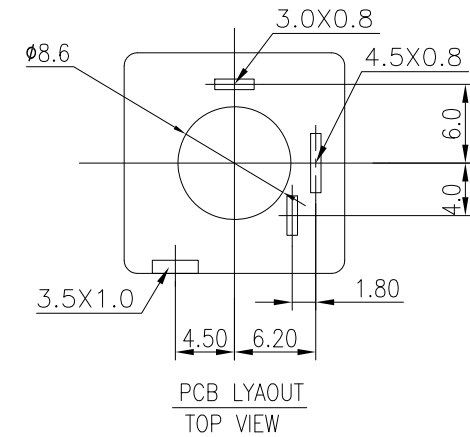
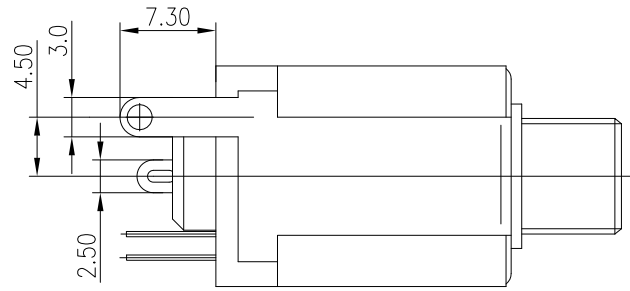
NOTES:

ELECTRICAL:

- 1: RATED CURRENT: 1A Max.
- 2: RATED VOLTAGE: 50V AC.
- 3: CONTACT RESISTANCE: 100 MILLIOHMS Max.
AFTER TESTING: 100 MILLIOHMS Max.
- 4: INSULATION RESISTANCE: 100 MEGAOHMS Min.
- 5: DIELECTRIC WITHSTANDING VOLTAGE: 500 VAC Min.

MECHANICAL:

- 1: INSERTION FORCE: 5N-40N.
 - 2: WITHDRAWAL FORCE: 5N-40N.
 - 3: DURRABILITY: 5000 CYCLES.
- ENVIRONMENTAL:
TEMPERATURE RANGE: -20°C TO 60°C.



SCHEMATIC

ANGLE	±5°
63 < L	±0.5
16 < L ≤ 63	±0.4
4 < L ≤ 16	±0.3
L ≤ 4	±0.2

TOL TABLE:
THIS DOCUMENT IS THE PROPERTY OF
TRENPRO TECHNOLOGY CO. LTD. NO PART
THEREOF MAY BE REPRODUCED AND
USED WITHOUT THE PRIOR WRITTEN
CONSENT OF THE OWNER

MODEL NAME: SJ6350A
(PART NO.)

MAT'L:
See table

DESIGN: X.H.Wang 09/20'18

FINISH:
See table

CHECKED: L.W.Wu 09/20'18

Q'TY: /

APPROVED: X.Q.Hu 09/20'18



广东正宝科技有限公司
GUANGDONG TRENPRO TECHNOLOGY CO. LTD.

TITLE: 6.35 PHONE JACK

DWG NO.:

UNIT: mm

VIEW:

SCALE: 5:1

SHEET: 1/1

SIZE: A3

REV.: A