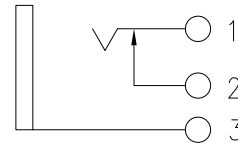
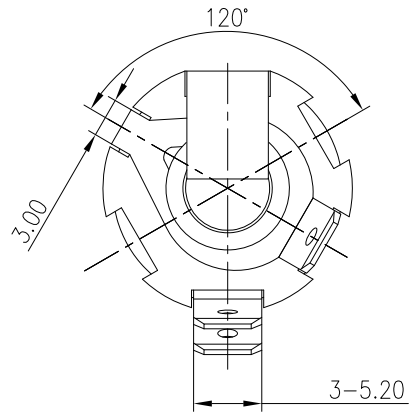
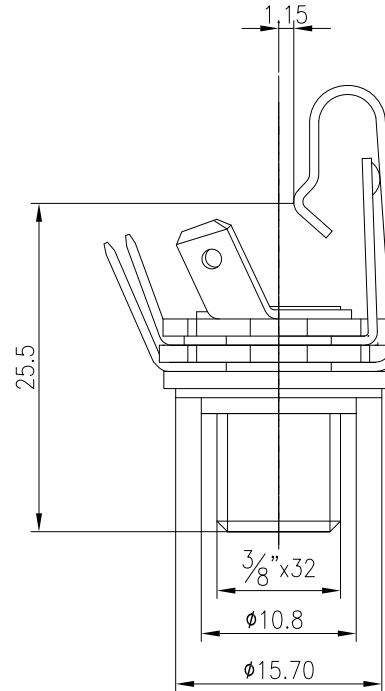
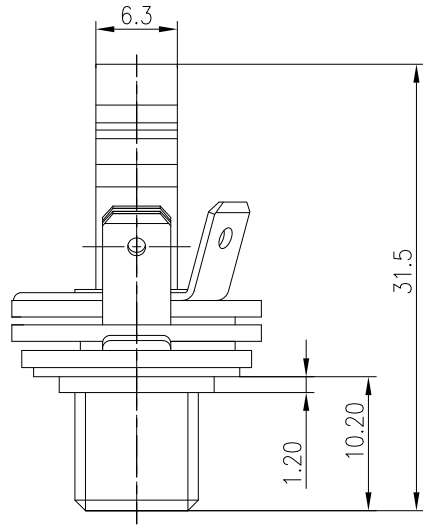


REV.	ECN NO.	MODIFIED MARK	APPROVED
A	—	FIRST RELEASE	



SCHEMATIC



NOTES:

ELECTRICAL:

1:RATED CURRENT: 1A Max.

2:RATED VOLTAGE: 50V AC.

3:CONTACT RESISTANCE: 100 MILLIOHMS Max.

AFTER TESTING:100 MILLIOHMS Max.

4:INSULATION RESISTANCE: 100 MEGAOHMS Min.

5:DIELECTRIC WITHSTANDING VOLTAGE: 500 VAC Min.

MECHANICAL:

1:INSERTION FORCE: 5N-40N.

2:WITHDRAWAL FORCE: 5N-40N.

3:DURRABILITY: 5000 CYCLES.

ENVIRONMENTAL:

TEMPERATURE RANGE: -20°C TO 60°C.

ANGLE	±5°
63 < L	±0.5
16 < L ≤ 63	±0.4
4 < L ≤ 16	±0.3
L ≤ 4	±0.2
TOL TABLE:	
THIS DOCUMENT IS THE PROPERTY OF TRENPRO TECHNOLOGY CO. LTD.,NO PART THEREOF MAY BE REPRODUCED AND USED WITHOUT THE PRIOR WRITTEN CONSENT OF THE OWNER	

MODEL NAME: SJ6348E  
(PART NO.)



广东正宝科技有限公司  
GUANGDONG TRENPRO TECHNOLOGY CO. LTD.

MAT'L:  
See table

DESIGN: X.H.Wang 09/20'18

TITLE: 6.35 PHONE JACK

FINISH:  
See table

CHECKED: L.W.Wu 09/20'18

DWG NO.:

REV.:  
A

Q'TY: /

APPROVED: X.Q.Hu 09/20'18

UNIT: mm

VIEW:

SCALE: 5:1

SHEET: 1/1

SIZE: A3