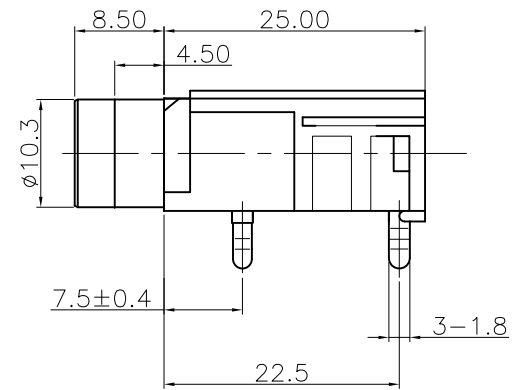
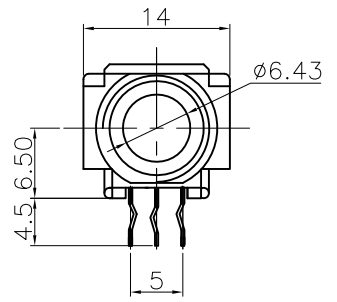
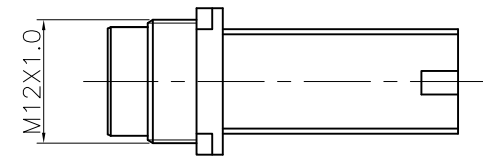
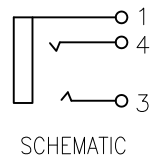
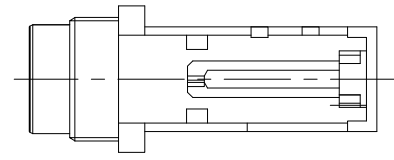
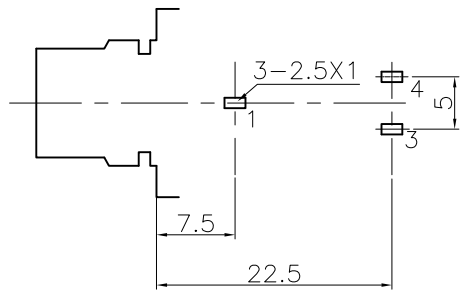



REV.	ECN NO.	MODIFIED MARK	APPROVED
A	—	FIRST RELEASE	



NOTES:  
 ELECTRICAL:  
 1: RATED CURRENT: 1A Max.  
 2: RATED VOLTAGE: 50V AC.  
 3: CONTACT RESISTANCE: 100 MILLIOHMS Max.  
 AFTER TESTING: 100 MILLIOHMS Max.  
 4: INSULATION RESISTANCE: 100 MEGAOHMS Min.  
 5: DIELECTRIC WITHSTANDING VOLTAGE: 500 VAC Min.  
 MECHANICAL:  
 1: INSERTION FORCE: 5N-40N.  
 2: WITHDRAWAL FORCE: 5N-40N.  
 3: DURRABILITY: 5000 CYCLES.  
 ENVIRONMENTAL:  
 TEMPERATURE RANGE: -20°C TO 60°C.



PCB LAYOUT  
TOP VIEW

ANGLE	$\pm 5^\circ$	MODEL NAME: SJ6325B-3P (PART NO.)		 广东正宝科技有限公司 GUANGDONG TRENPRO TECHNOLOGY CO. LTD.				
63 < L	$\pm 0.5$	MAT'L: See table	DESIGN: X.H.Wang 11/07'18	TITLE: 6.35 PHONE JACK				
16 < L ≤ 63	$\pm 0.4$			FINISH: See table	CHECKED: L.W.Wu 11/07'18	DWG NO.:	REV.: A	
4 < L ≤ 16	$\pm 0.3$	Q'TY: /	APPROVED: X.Q.Hu 11/07'18					UNIT: mm
L ≤ 4	$\pm 0.2$			THIS DOCUMENT IS THE PROPERTY OF TRENPRO TECHNOLOGY CO. LTD. NO PART THEREOF MAY BE REPRODUCED AND USED WITHOUT THE PRIOR WRITTEN CONSENT OF THE OWNER				