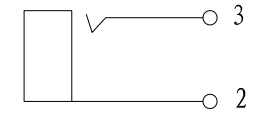
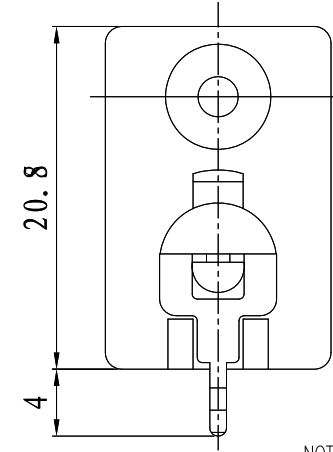
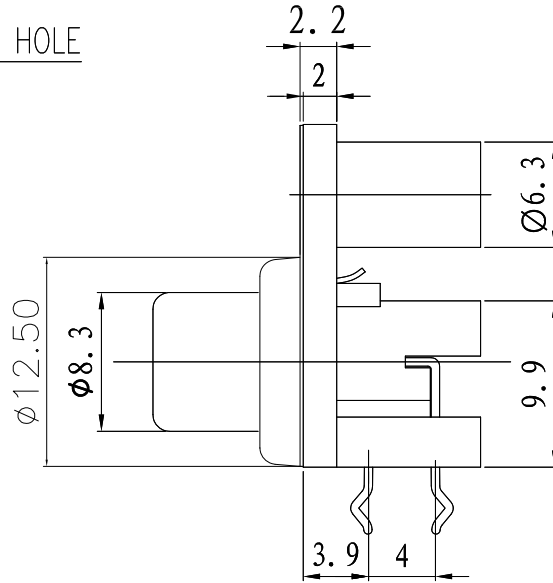
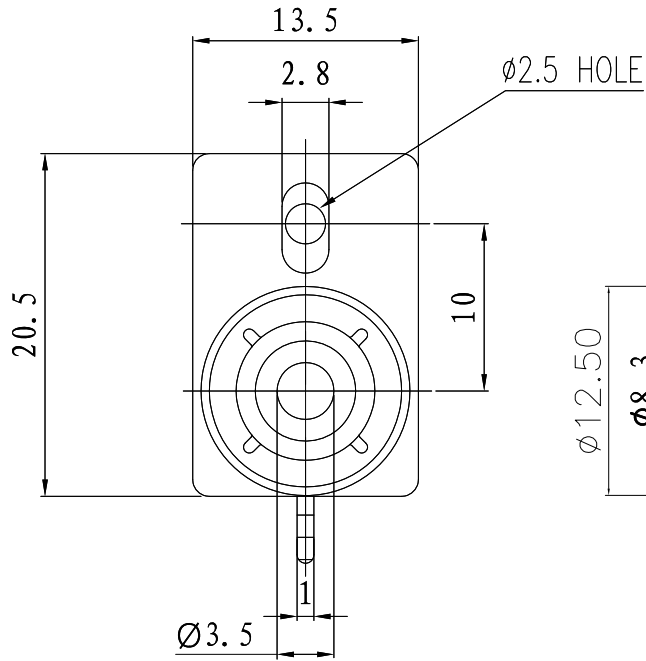
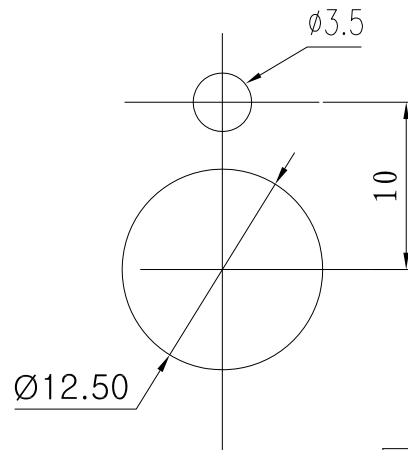
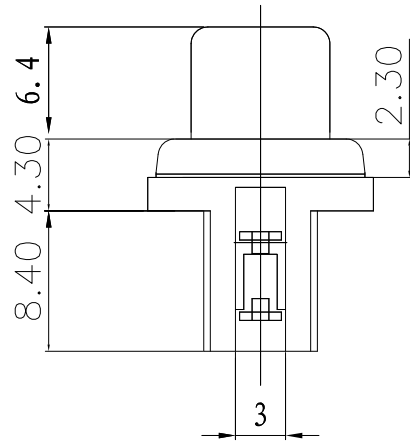


REV.	ECN NO.	MODIFIED MARK	APPROVED
A	—	FIRST RELEASE	

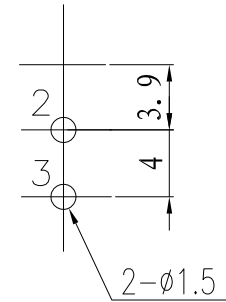


SCHMATIC

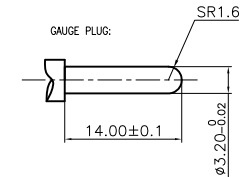
NOTES:
 ELECTRICAL:
 1:RATED CURRENT: 0.2A Max.
 2:RATED VOLTAGE: 50V AC.
 3:CONTACT RESISTANCE: 30 MILLIOHMS Max.
 AFTER TESTING:100 MILLIOHMS Max.
 4:INSULATION RESISTANCE: 100 MEGAOHMS Min.
 5:DIELECTRIC WITHSTANDING VOLTAGE: 500 VAC Min.
 MECHANICAL:
 1:INSERTION FORCE: 3N-30N.
 2:WITHDRAWAL FORCE: 3N-30N.
 3:DURRABILITY: 100 CYCLES.
 ENVIRONMENTAL:
 TEMPERATURE RANGE: -20°C TO 60°C.



MOUNTING HOLES (S=1/1)



PCB LAYOUT
TOP VIEW



ANGLE	±5°
63 < L	±0.5
16 < L ≤ 63	±0.4
4 < L ≤ 16	±0.3
L ≤ 4	±0.2
TOL TABLE:	
THIS DOCUMENT IS THE PROPERTY OF TRENPRO TECHNOLOGY CO. LTD.,NO PART THEREOF MAY BE REPRODUCED AND USED WITHOUT THE PRIOR WRITTEN CONSENT OF THE OWNER	

MODEL NAME: RCA-127P
(PART NO.)

MAT'L:
See table

DESIGN:X.H.Wang 11/01'18

FINISH:
See table

CHECKED:L.W.Wu 11/01'18

Q'TY:/

APPROVED:X.Q.Hu 11/01'18



广东正宝科技有限公司
GUANGDONG TRENPRO TECHNOLOGY CO. LTD.

TITLE: RCA PIN JACK

DWG NO.:

REV.:
A

UNIT: mm

VIEW:

SCALE: 5:1

SHEET: 1/1

SIZE: A3