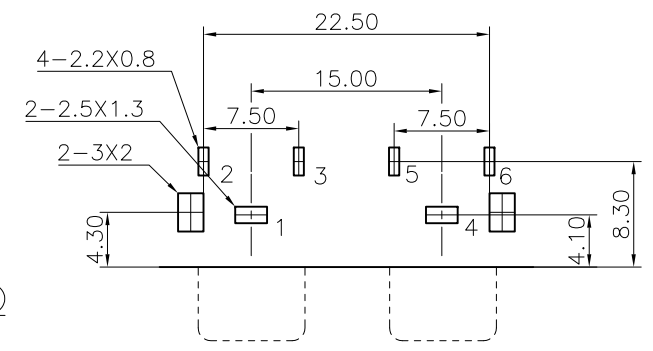
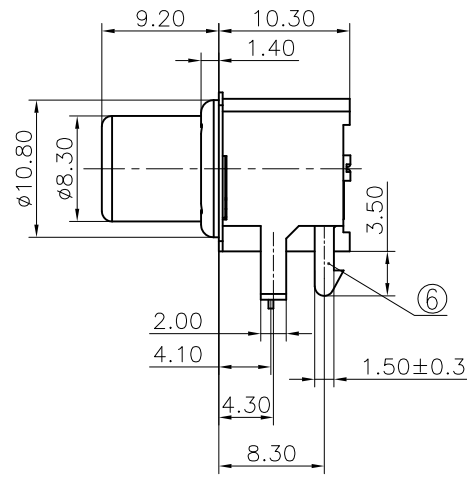
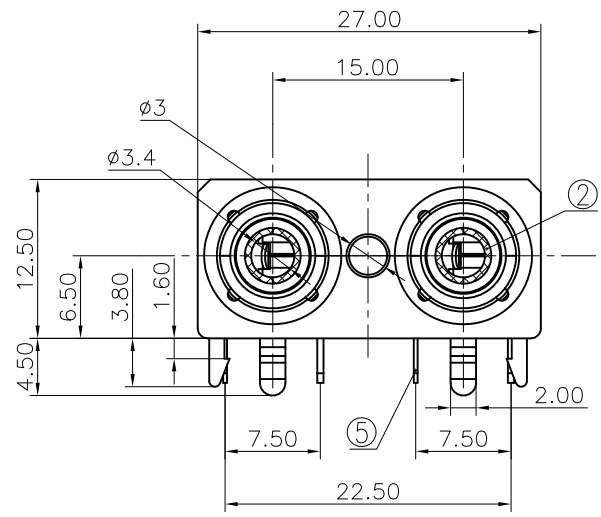


REV.	ECN NO.	MODIFIED MARK	APPROVED
A		FIRST RELEASE	

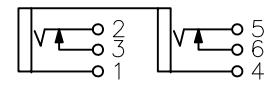


PCB LAYOUT  
TOP VIEW

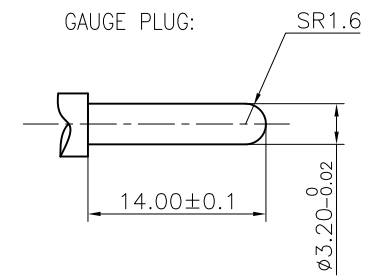


COLOR TABLE


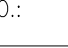
CODE	A	B
COLOR	RED	WHITE



SCHEMATIC



NOTES:  
ELECTRICAL:  
1:RATED CURRENT: 0.2A Max.  
2:RATED VOLTAGE: 50V AC.  
3:CONTACT RESISTANCE: 30 MILLIOHMS Max.  
AFTER TESTING:100 MILLIOHMS Max.  
4:INSULATION RESISTANCE: 100 MEGAOHMS Min.  
5:DIELECTRIC WITHSTANDING VOLTAGE: 500 VAC Min.  
MECHANICAL:  
1:INSERTION FORCE: 3N-30N.  
2:WITHDRAWAL FORCE: 3N-30N.  
3:DURRABILITY: 100 CYCLES.  
ENVIRONMENTAL:  
TEMPERATURE RANGE: -20°C TO 60°C.

⑥	TERMINAL-B	2	BRASS t=0.4	Ag PLATED	RoHS
⑤	TERMINAL-A	2	BRONZE t=0.3	Ag PLATED	
④	SOCKET	2	BRASS t=0.3	CuSn PLATED	
③	COVER-P	1	BRASS t=0.4	CuSn PLATED	
②	WASHER	2	PBT	SEE COLOR TABLE	
①	HOUSE	1	PBT	BLACK	
NO.	PART NAME	Q'TY	MATERIAL	FINISH/COLOR	REMARK
ANGLE		±5°	MODEL NAME: RCA-225D-P (PART NO.)		 广东正宝科技有限公司 GUANGDONG TRENPRO TECHNOLOGY CO., LTD.
63 < L		±0.5	MAT'L: See table		
16 < L ≤ 63		±0.4	DESIGN: X.H.Wang 12/13'18		
4 < L ≤ 16		±0.3	CHECKED: L.W.Wu 12/13'18		
L ≤ 4		±0.2	APPROVED: X.Q.Hu 12/13'18		TITLE: RCA PIN JACK
TOL TABLE:		FINISH: See table		DWG NO.:	
THIS DOCUMENT IS THE PROPERTY OF TRENPRO TECHNOLOGY CO., LTD.NO PART THEREOF MAY BE REPRODUCED AND USED WITHOUT THE PRIOR WRITTEN CONSENT OF THE OWNER					
Q'TY: /		UNIT: mm		VIEW: 	SCALE: 5:1
				SHEET: 1/1	SIZE: A3
				REV.: A	