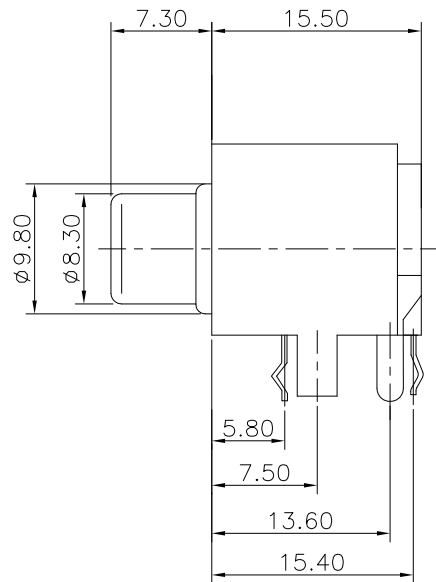
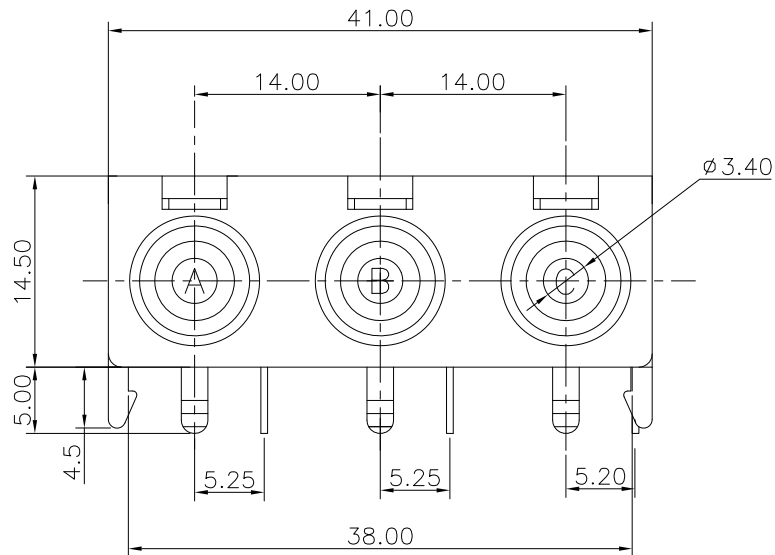


REV.	ECN NO.	MODIFIED MARK	APPROVED
A	—	FIRST RELEASE	



NOTES:

ELECTRICAL:

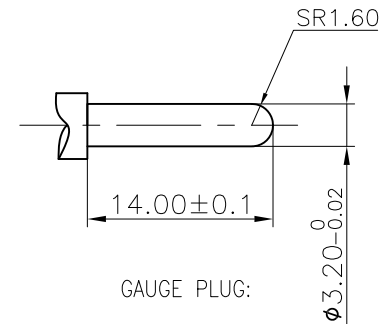
- 1: RATED CURRENT: 0.2A Max.
- 2: RATED VOLTAGE: 50V AC.
- 3: CONTACT RESISTANCE: 30 MILLIOHMS Max.
AFTER TESTING: 100 MILLIOHMS Max.
- 4: INSULATION RESISTANCE: 100 MEGAOHMS Min.
- 5: DIELECTRIC WITHSTANDING VOLTAGE: 500 VAC Min.

MECHANICAL:

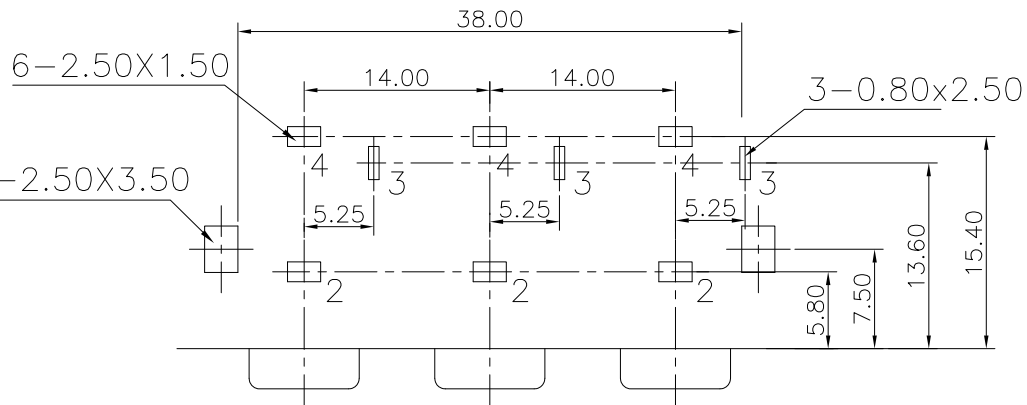
- 1: INSERTION FORCE: 3N-30N.
- 2: WITHDRAWAL FORCE: 3N-30N.
- 3: DURABILITY: 100 CYCLES.

ENVIRONMENTAL:

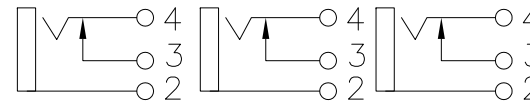
TEMPERATURE RANGE: -20°C TO 60°C.




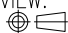
GAUGE PLUG:



PCB LAYOUT
TOP VIEW



SCHEMATIC

ANGLE	±5°	MODEL NAME: RCA-304D (PART NO.)	 广东正宝科技有限公司 GUANGDONG TRENPRO TECHNOLOGY CO. LTD.		
63 < L	±0.5				
16 < L ≤ 63	±0.4				
4 < L ≤ 16	±0.3				
L ≤ 4	±0.2				
TOL TABLE:		MAT'L:	DESIGN: Z.F.Lian 09/07'18	TITLE: RCA PIN JACK	
THIS DOCUMENT IS THE PROPERTY OF ZHENGWEI ELECTRONICS CO.,LTD. NO PART THEREOF MAY BE REPRODUCED AND USED WITHOUT THE PRIOR WRITTEN CONSENT OF THE OWNER		See table	CHECKED: L.W.Wu 09/07'18	DWG NO.:	
		FINISH:	APPROVED: X.Q.Hu 09/07'18	UNIT: mm	VIEW: 
		Q'TY: /		SCALE: 5:1	SHEET: 1/1
					SIZE: A3