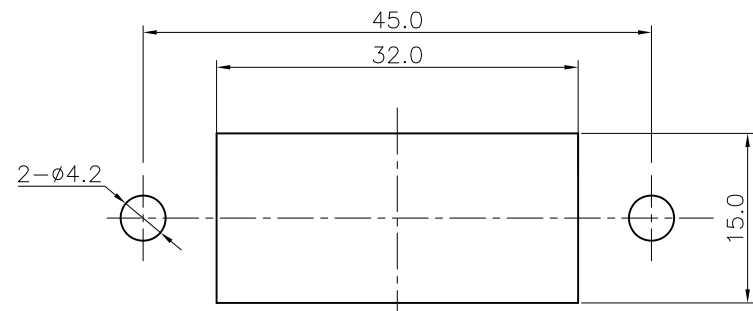
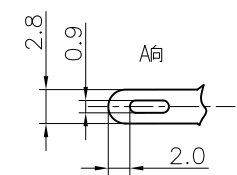
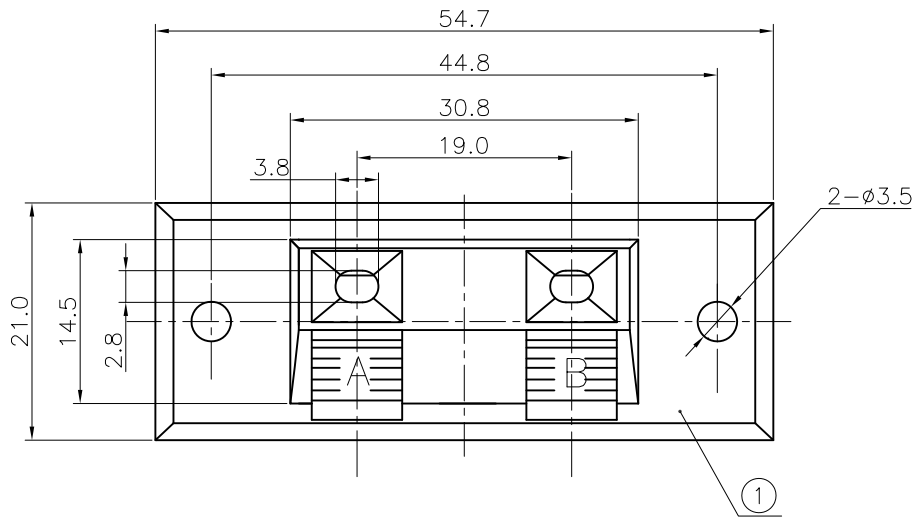
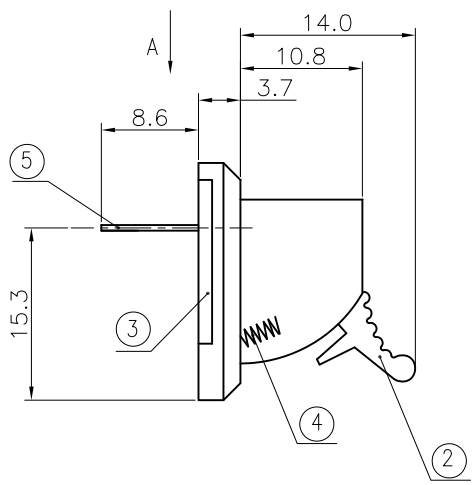


REV.	ECN NO.	MODIFIED MARK	APPROVED
A		FIRST RELEASE	


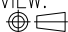


PANEL CUT OUT

COLOR TABLE

CODE	A	B
COLOR	BLACK	BLACK

NOTES:
 ELECTRICAL:
 1:RATED CURRENT: 3A Max.
 2:RATED VOLTAGE: 50V AC.
 3:INSULATION RESISTANCE: 100 MEGAOHMS Min.
 4:DIELECTRIC WITHSTANDING VOLTAGE: 1200 VAC Min.
 MECHANICAL:
 1:WIRE IN HOLD FORCE 5N (20#WIRE) MIN
 2:INSPECTED VOLTAGE, AT THE SPEED OF 6-10S PER MINUTES, THE SAMPLES ARE INSPECTED 10000 CYCLES, BUT THERE ARE NO DAMAGE ON THE PRESSURE AND THE RISING TEMPERATURE, ETC.3:APPLY 2kgf FORCE AT ANY DIRECTION , THERE NO LOOSE & NO CRACK

⑤	TERMINAL	2	BRASS t=0.5	CuSn PLATED	RoHS				
④	SPRING	2	STEEL Ø0.5	BLACK					
③	COVER	1	ABS	BLACK					
②	KONB	2	ABS	SEE COLOR TABLE					
①	HOUSE	1	ABS	BLACK					
NO.	PART NAME	Q'TY	MATERIAL	FINISH/COLOR	REMARK				
ANGLE		±5°	MODEL NAME: WP2-2 (PART NO.)		 ZWEE INDUSTRY(HK)CO.,LIMITED				
63 < L		±0.5	MAT'L: See table	DESIGN: X.H.Wang 11/06'18		TITLE: WP PUSH TERMINAL			
16 < L ≤ 63		±0.4							
4 < L ≤ 16		±0.3							
L ≤ 4		±0.2							
TOL TABLE:									
THIS DOCUMENT IS THE PROPERTY OF TRENPRO TECHNOLOGY CO. LTD.,NO PART THEREOF MAY BE REPRODUCED AND USED WITHOUT THE PRIOR WRITTEN CONSENT OF THE OWNER			FINISH: See table	CHECKED: L.W.Wu 11/06'18	DWG NO.:	REV.: A			
			Q'TY:/	APPROVED:X.Q.Hu 11/06'18	UNIT: mm	VIEW: 	SCALE: 5:1	SHEET: 1/1	SIZE: A3