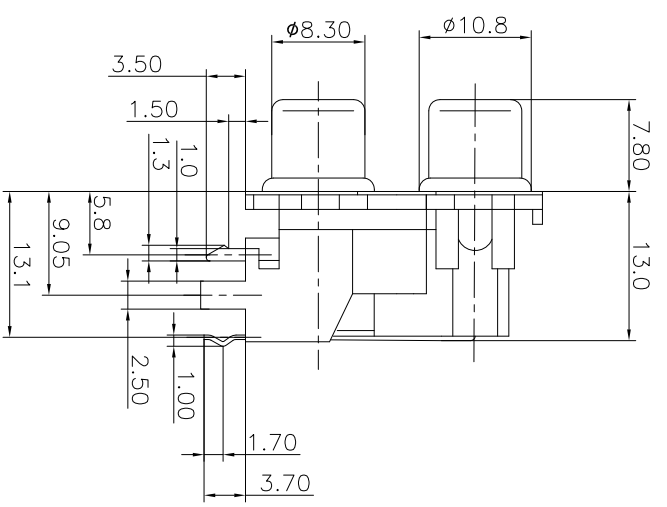
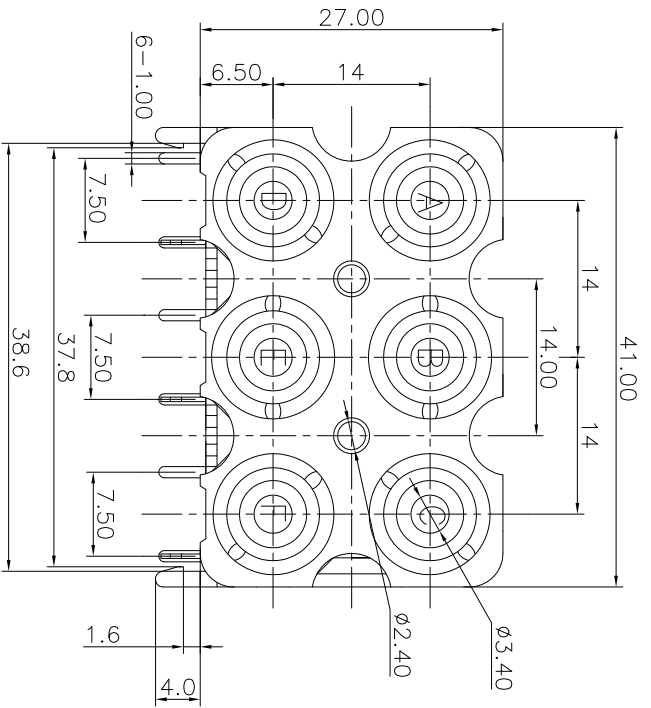
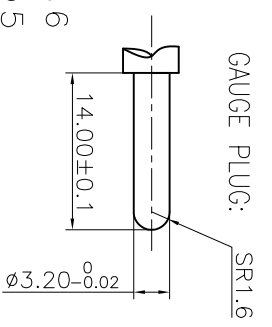
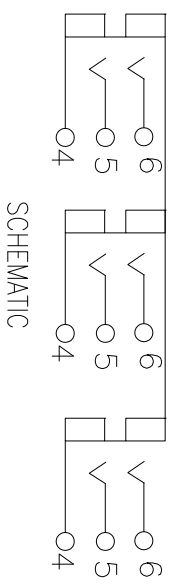
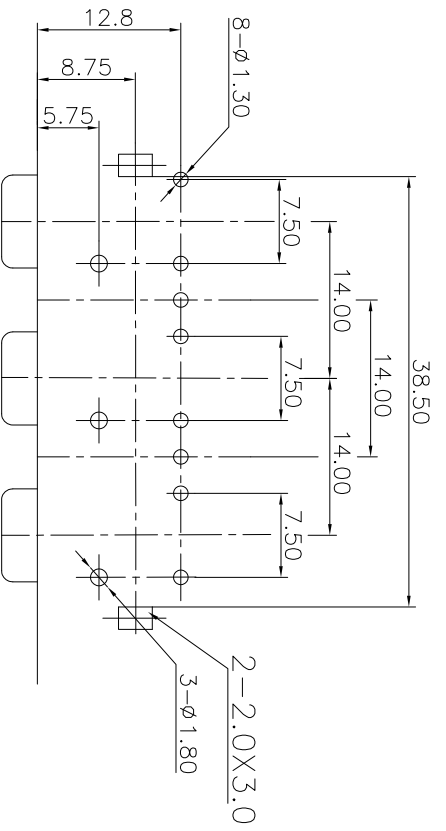


REV.	ECN NO.	MODIFIED MARK	APPROVED
A		FIRST RELEASE	



- NOTES:
- ELECTRICAL:
- 1: RATED CURRENT: 0.2A Max.
 - 2: RATED VOLTAGE: 50V AC.
 - 3: CONTACT RESISTANCE: 30 MILLIOHMS Max.
 - 4: INSULATION RESISTANCE: 100 MEGAOHMS Min.
 - 5: DIELECTRIC WITHSTANDING VOLTAGE: 500 VAC Min.
- AFTER TESTING: 100 MILLIOHMS Max.
- MECHANICAL:
- 1: INSERTION FORCE: 3N-30N.
 - 2: WITHDRAWAL FORCE: 3N-30N.
 - 3: DURABILITY: 100 CYCLES.
- ENVIRONMENTAL:
- TEMPERATURE RANGE: -20°C TO 60°C.



ANGLE	±5°	MODEL NAME: RCA-613P	<p>广东正宝科技有限公司 GUANGDONG TRENPRO TECHNOLOGY CO., LTD.</p>	TITLE:	RCA PIN JACK	REV.:	A		
63 < L	±0.5	(PART NO.)		DESIGN:	X.H.Wang	11/24'18	DWG NO.:		
16 < L ≤ 63	±0.4			CHECKED:	L.W.Wu	11/24'18	UNIT:	mm	
4 < L ≤ 16	±0.3		FINISH:	See table		VIEW:	SCALE: SHEET:		
L ≤ 4	±0.2		MAT'L:	See table		SCALE:	5:1		
TOL TABLE:		THIS DOCUMENT IS THE PROPERTY OF TRENPRO TECHNOLOGY CO., LTD. NO PART THEREOF MAY BE REPRODUCED AND USED WITHOUT THE PRIOR WRITTEN CONSENT OF THE OWNER		QTY./	APPROVED:	X.Q.Hu	11/24'18	SIZE:	A3

PCB LAYOUT
TOP VIEW

SCHEMATIC

GAUGE PLUG: SR1.6