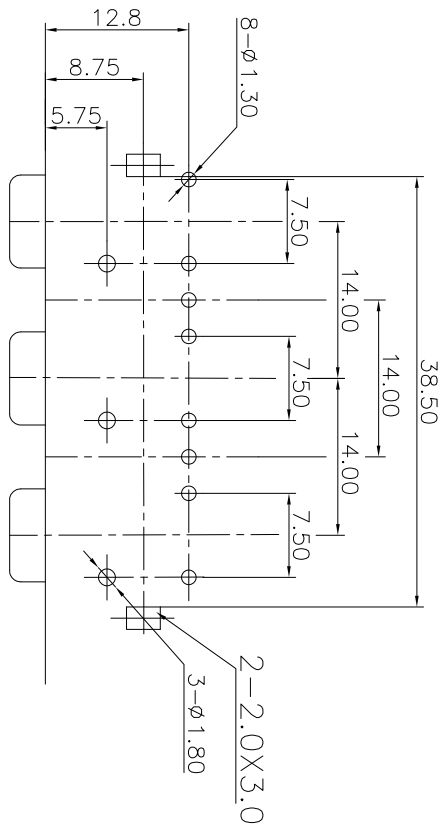
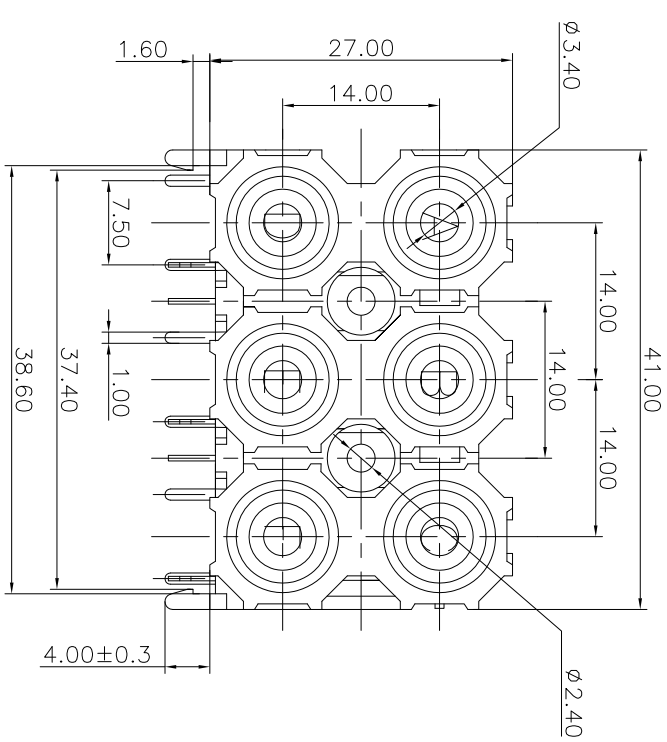
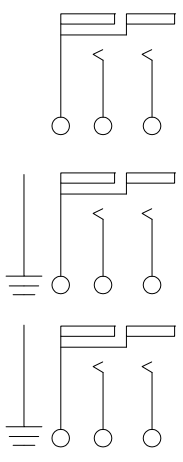
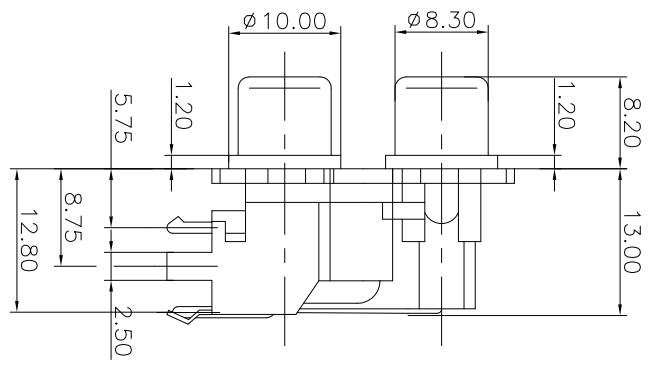


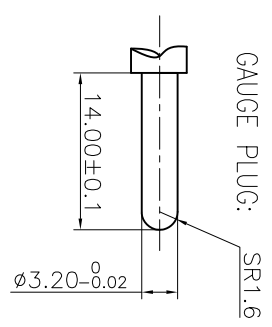
REV.	ECN NO.	MODIFIED MARK	APPROVED
A		FIRST RELEASE	



PCB LAYOUT
TOP VIEW



SCHEMATIC



GAUGE PLUG: SR1.6

- NOTES:
- ELECTRICAL:
- 1.RATED CURRENT: 0.2A Max.
 - 2.RATED VOLTAGE: 50V AC.
 - 3.CONTACT RESISTANCE: 30 MILLIOHMS Max. AFTER TESTING:100 MILLIOHMS Max.
 - 4.INSULATION RESISTANCE: 100 MEGAOHMS Min.
 - 5.DIELECTRIC WITHSTANDING VOLTAGE: 500 VAC Min.
- MECHANICAL:
- 1.INSERTION FORCE: 3N-30N.
 - 2.WITHDRAWAL FORCE: 3N-30N.
 - 3.DURABILITY: 100 CYCLES.
- ENVIRONMENTAL:
- TEMPERATURE RANGE: -20°C TO 60°C.

ANGLE	±5°	MODEL NAME: RCA-613E	 广东正宝科技有限公司 GUANGDONG TRENPRO TECHNOLOGY CO., LTD.	TITLE: RCA PIN JACK	REV.: A
63 < L	±0.5	(PART NO.)		DWG NO.:	SIZE: A3
16 < L ≤ 63	±0.4	MAT'L: See table	CHECKED: L.W.Wu	VIEW: 5:1	
4 < L ≤ 16	±0.3	FINISH: See table	DESIGN: X.H.Wang	SCALE: SHEET: 1/1	
L ≤ 4	±0.2	Q'TY: /	11/24'18	UNIT: mm	
TOL TABLE:		APPROVED: X.Q.Hu	11/24'18		
THIS DOCUMENT IS THE PROPERTY OF TRENPRO TECHNOLOGY CO., LTD. NO PART THEREOF MAY BE REPRODUCED AND USED WITHOUT THE PRIOR WRITTEN CONSENT OF THE OWNER.					