

REV.	ECN NO.	MODIFIED MARK	APPROVED
A		FIRST RELEASE	

NOTES:

ELECTRICAL:

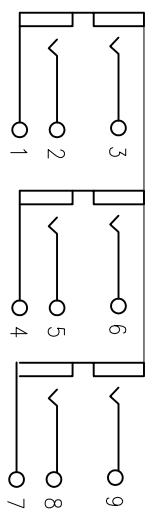
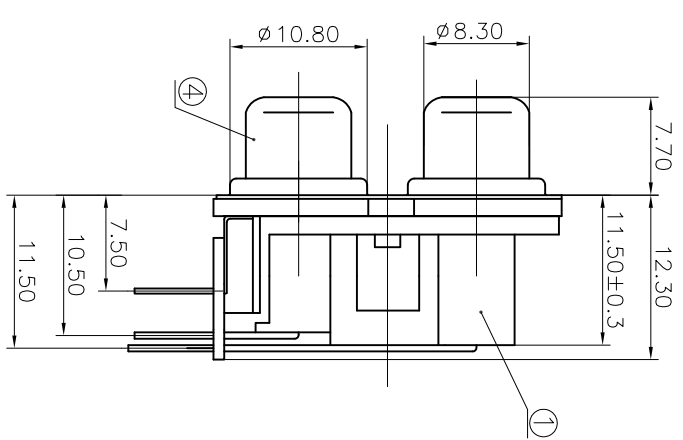
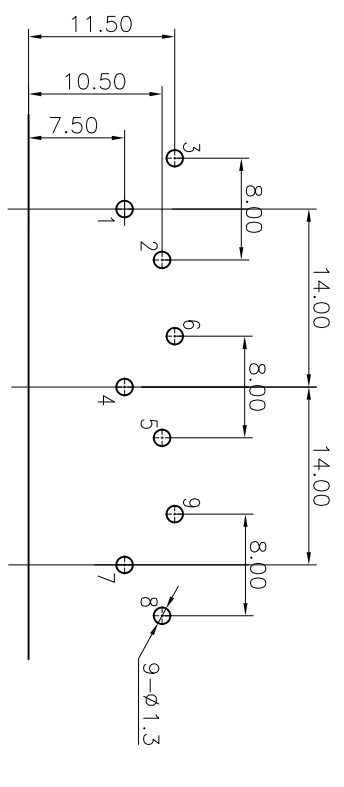
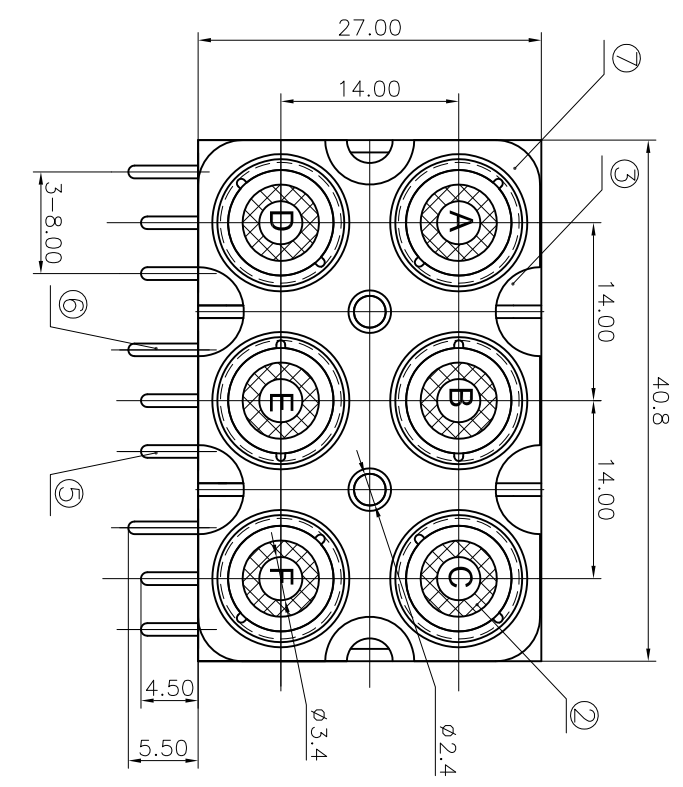
- 1: RATED CURRENT: 0.2A Max.
- 2: RATED VOLTAGE: 50V AC.
- 3: CONTACT RESISTANCE: 30 MILLIOHMS Max. AFTER TESTING: 100 MILLIOHMS Max.
- 4: INSULATION RESISTANCE: 100 MEGAOHMS Min.
- 5: DIELECTRIC WITHSTANDING VOLTAGE: 500 VAC Min.

MECHANICAL:

- 1: INSERTION FORCE: 3N-30N.
- 2: WITHDRAWAL FORCE: 3N-30N.
- 3: DURABILITY: 100 CYCLES.

ENVIRONMENTAL:

TEMPERATURE RANGE: -20°C TO 60°C.



SCHEMATIC

COLOR TABLE

CODE	A	B	C
COLOR	WHITE	WHITE	WHITE
CODE	D	E	F
COLOR	RED	RED	RED

PCB LAYOUT
TOP VIEW

⑦	TERMINAL-P	1	BRASS t=0.3	CuSn PLATED	
⑥	TERMINAL-B	3	BRASS t=0.4	CuSn PLATED	
⑤	TERMINAL-A	3	BRASS t=0.4	CuSn PLATED	
④	SOCKET	3	BRASS t=0.4	CuSn PLATED	
③	COVER	3	ABS	BLACK	RoHS
②	WASHER	6	PBT	SEE COLOR TABLE	
①	HOUSE	1	ABS	WHITE	
NO.	PART NAME	Q'TY	MATERIAL	FINISH/COLOR	REMARK
ANGLE		±5°			
63 < L		±0.5			
16 < L ≤ 63		±0.4			
4 < L ≤ 16		±0.3			
L ≤ 4		±0.2			



广东正宝科技有限公司
GUANGDONG TREPPRO TECHNOLOGY CO., LTD.

MODEL NAME: RCA-610P
(PART NO.)

DESIGN: Z.F.Lion 11/29'18 TITLE: RCA PIN JACK

CHECKED: L.W.Wu 11/29'18 DWG NO.:

FINISH: See table

Q'TY: /

APPROVED: X.Q.Hu 11/29'18

UNIT: mm

VIEW: 5:1

SCALE: SHEET: 1/1

REVISION: A

TOL TABLE:

THIS DOCUMENT IS THE PROPERTY OF TREPPRO TECHNOLOGY CO., LTD. NO PART THEREOF MAY BE REPRODUCED AND USED WITHOUT THE PRIOR WRITTEN CONSENT OF THE OWNER