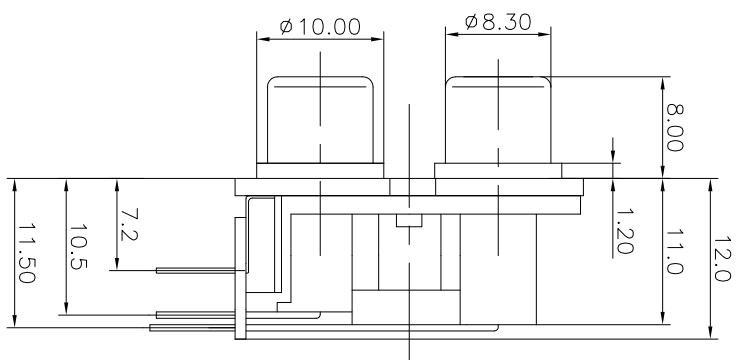
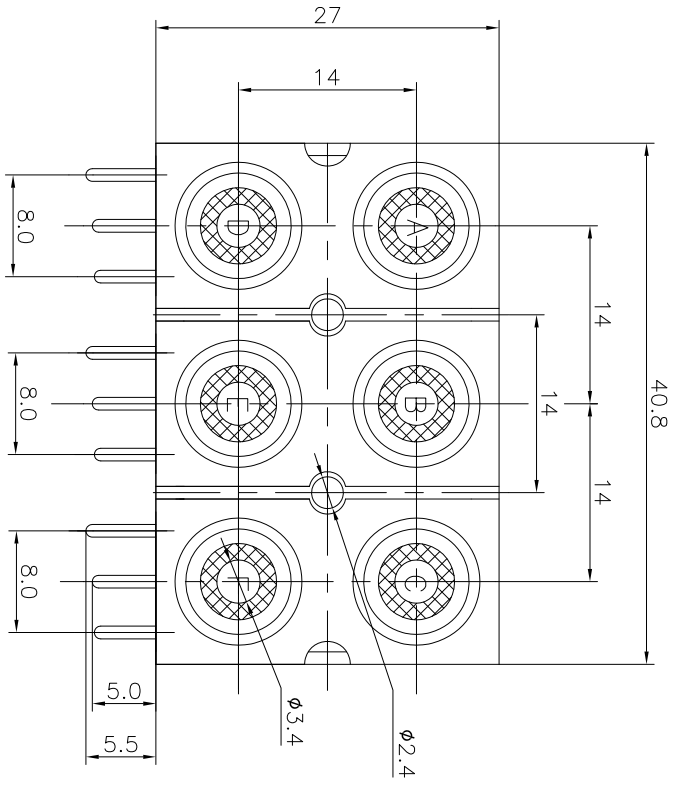
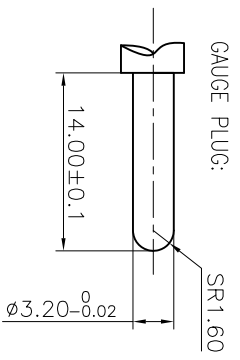
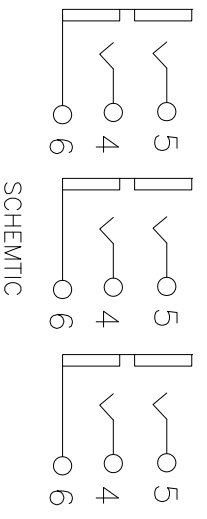
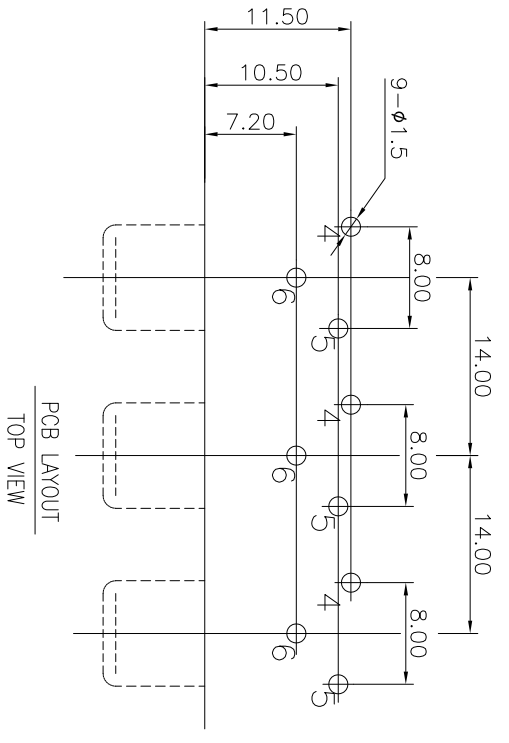


REV.	ECN NO.	MODIFIED MARK	APPROVED
A		FIRST RELEASE	



- NOTES:
- ELECTRICAL:
- 1: RATED CURRENT: 0.2A Max.
 - 2: RATED VOLTAGE: 50V AC.
 - 3: CONTACT RESISTANCE: 30 MEGOHMS Max. AFTER TESTING: 100 MEGOHMS Max.
 - 4: INSULATION RESISTANCE: 100 MEGOHMS Min.
 - 5: DIELECTRIC WITHSTANDING VOLTAGE: 500 VAC Min.
- MECHANICAL:
- 1: INSERTION FORCE: 3N-30N.
 - 2: WITHDRAWAL FORCE: 3N-30N.
 - 3: DURABILITY: 100 CYCLES.
- ENVIRONMENTAL:
- TEMPERATURE RANGE: -20°C TO 60°C.



ANGLE	±5°	MODEL NAME: RCA-610	 广东正宝科技有限公司 GUANGDONG TRENPRO TECHNOLOGY CO., LTD.	TITLE:	RCA PIN JACK	REV.:	A
63 < L	±0.5	(PART NO.)		DESIGN: Z.F.Lion	11/29'18	DWG NO.:	
16 < L ≤ 63	±0.4		CHECKED: L.W.Wu	11/29'18			
4 < L ≤ 16	±0.3	MAT'L:	See table				
L ≤ 4	±0.2	FINISH:	See table	Q'TY: /	APPROVED: X.Q.Hu	11/29'18	UNIT: mm
TOL TABLE:		THIS DOCUMENT IS THE PROPERTY OF TRENPRO TECHNOLOGY CO., LTD. NO PART THEREOF MAY BE REPRODUCED AND USED WITHOUT THE PRIOR WRITTEN CONSENT OF THE OWNER		VIEW:	SCALE:	SHEET:	SIZE:
					5:1	1/1	A3