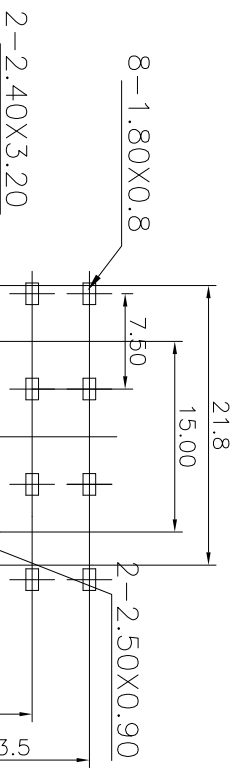
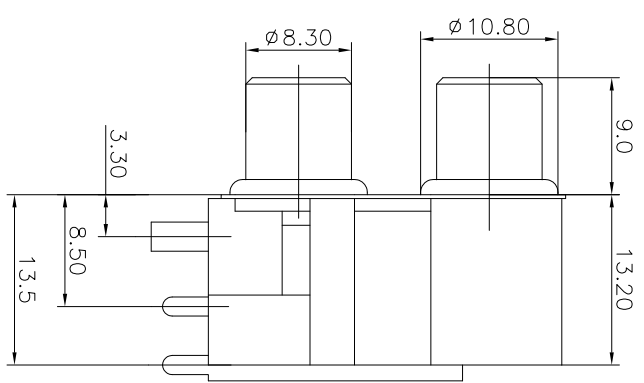
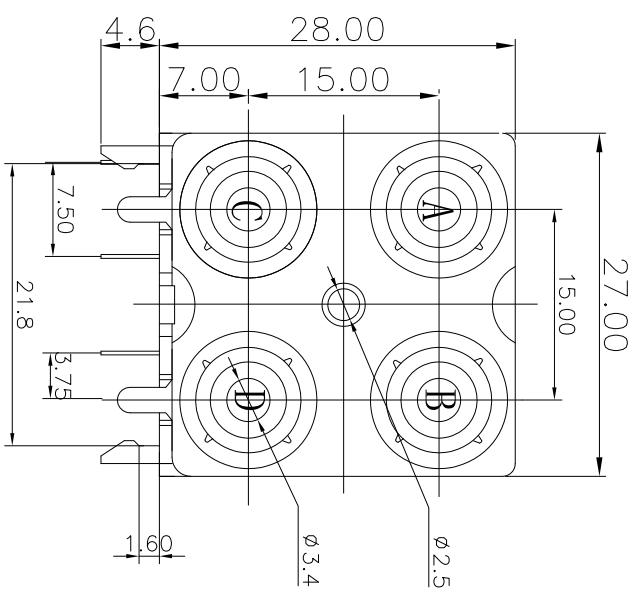
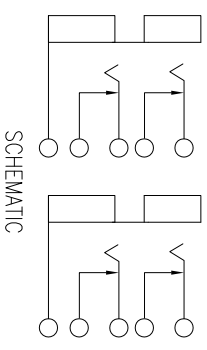


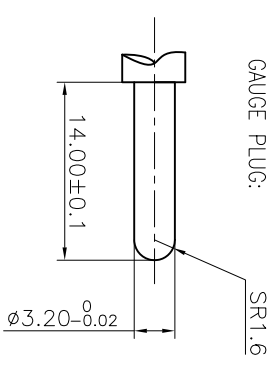
REV.	ECN NO.	MODIFIED MARK	APPROVED
A		FIRST RELEASE	



PCB LAYOUT
TOP VIEW



SCHEMATIC



GAUGE PLUG:
SR1.6

- NOTES:
- ELECTRICAL:
- 1: RATED CURRENT: 0.2A Max.
 - 2: RATED VOLTAGE: 50V AC.
 - 3: CONTACT RESISTANCE: 30 MILLIOHMS Max.
 - 4: INSULATION RESISTANCE: 100 MEGAOHMS Min.
 - 5: DIELECTRIC WITHSTANDING VOLTAGE: 500 VAC Min.
- AFTER TESTING: 100 MILLIOHMS Max.
- MECHANICAL:
- 1: INSERTION FORCE: 3N-30N.
 - 2: WITHDRAWAL FORCE: 3N-30N.
 - 3: DURABILITY: 100 CYCLES.
- ENVIRONMENTAL:
- TEMPERATURE RANGE: -20°C TO 60°C.

ANGLE	±5°
63 < L	±0.5
16 < L ≤ 63	±0.4
4 < L ≤ 16	±0.3
L ≤ 4	±0.2

TOL TABLE:

THIS DOCUMENT IS THE PROPERTY OF
TERPRO TECHNOLOGY CO., LTD/NO PART
HEREOF MAY BE REPRODUCED AND
USED WITHOUT THE PRIOR WRITTEN
CONSENT OF THE OWNER

MODEL NAME: RCA-415D/P (PART NO.)	TITLE: RCA PIN JACK	
DESIGN: X.H.Wang	DATE: 11/15/18	REV: A
CHECKED: L.W.Wu	DWG NO.:	
FINISH: See table	VIEW: 5:1	SHEET: 1/1
QTY: /	APPROVED: X.Q.Hu	DATE: 11/15/18
UNIT: mm	SCALE: 5:1	SIZE: A3

广东正宝科技有限公司
GUANGDONG TERPRO TECHNOLOGY CO., LTD.