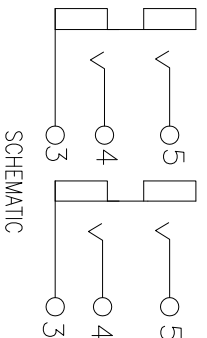
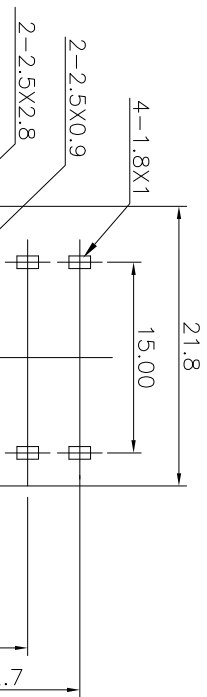
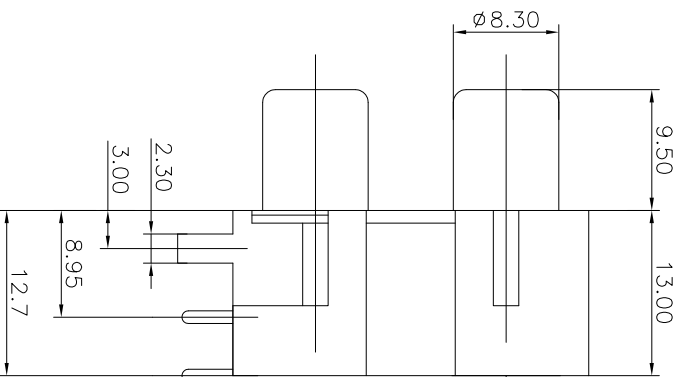
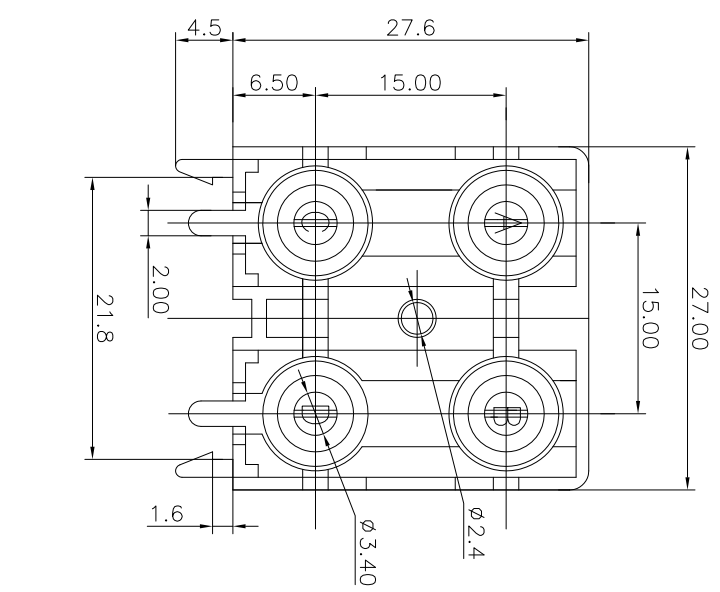
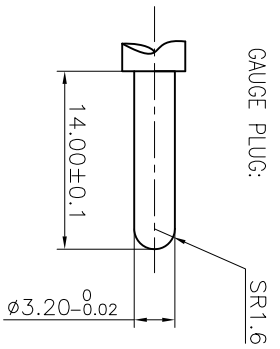


REV.	ECN NO.	MODIFIED MARK	APPROVED
A		FIRST RELEASE	



SCHEMATIC



- NOTES:
- ELECTRICAL:
- 1: RATED CURRENT: 0.2A Max.
 - 2: RATED VOLTAGE: 50V AC.
 - 3: CONTACT RESISTANCE: 30 MILLIOHMS Max.
 - 4: INSULATION RESISTANCE: 100 MEGAOHMS Min.
 - 5: DIELECTRIC WITHSTANDING VOLTAGE: 500 VAC Min.
- MECHANICAL:
- 1: INSERTION FORCE: 3N-30N.
 - 2: WITHDRAWAL FORCE: 3N-30N.
 - 3: DURABILITY: 100 CYCLES.
- ENVIRONMENTAL:
- TEMPERATURE RANGE: -20°C TO 60°C.

ANGLE	±5°
63 < L	±0.5
16 < L ≤ 63	±0.4
4 < L ≤ 16	±0.3
L ≤ 4	±0.2

MODEL NAME: RCA-415A (PART NO.)		TITLE: RCA PIN JACK	
DESIGN: X.H.Wang 11/15'18		DWG NO.:	
CHECKED: L.W.Wu 11/15'18		REV.: A	
FINISH: See table		SCALE: 5:1	
QTY: /		VIEW: 1/1	
APPROVED: X.Q.Hu 11/15'18		SIZE: A3	

TOL TABLE:

THIS DOCUMENT IS THE PROPERTY OF TERPRO TECHNOLOGY CO., LTD. NO PART THEREOF MAY BE REPRODUCED AND USED WITHOUT THE PRIOR WRITTEN CONSENT OF THE OWNER.

广东正宝科技有限公司
GUANGDONG TERPRO TECHNOLOGY CO., LTD.