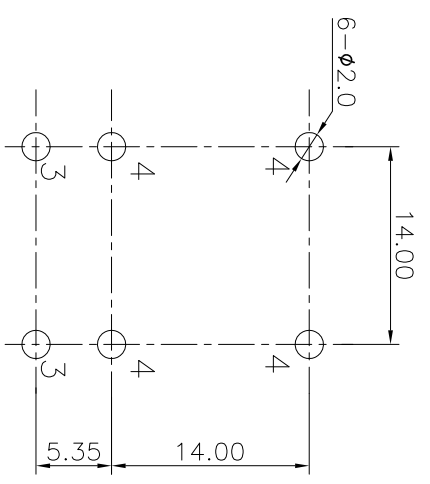
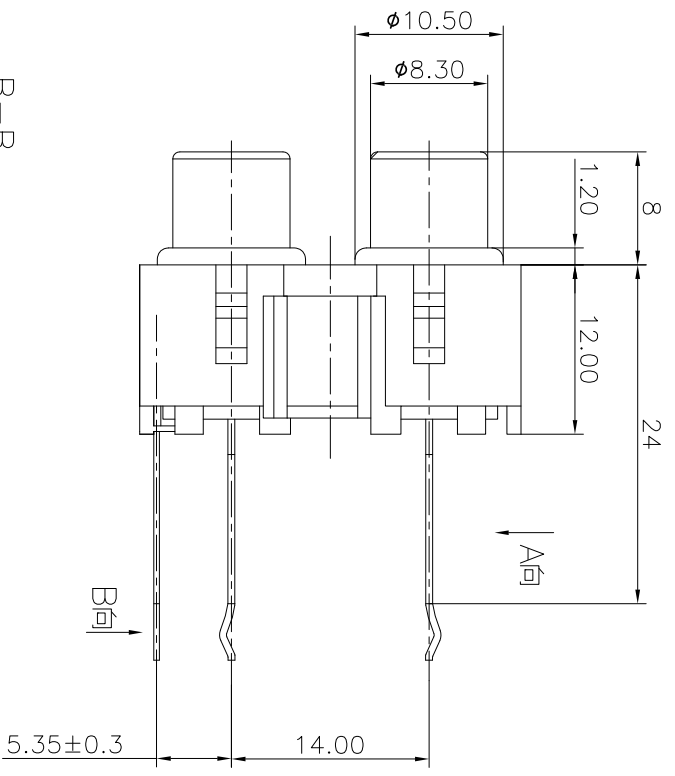
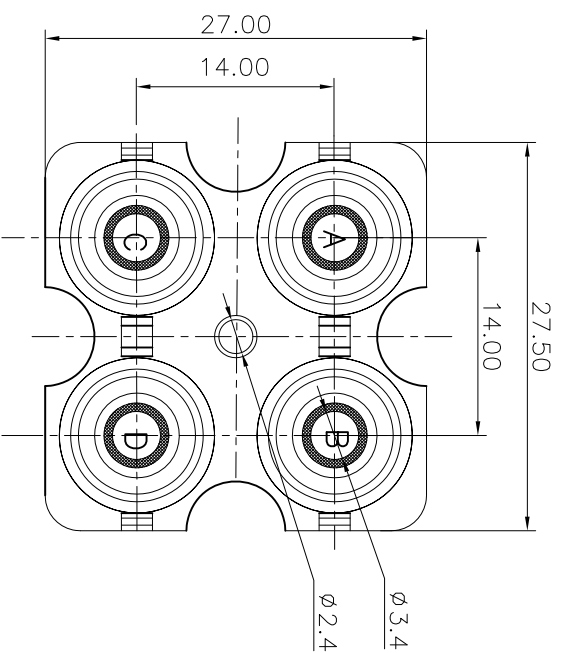
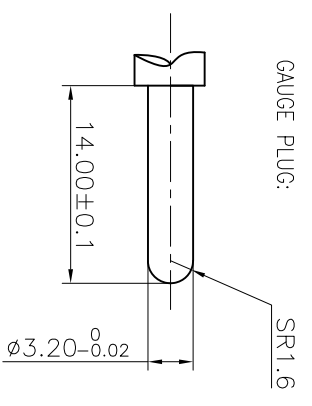
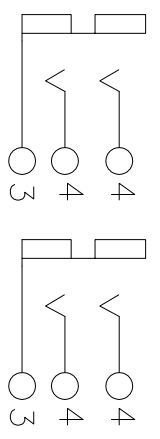
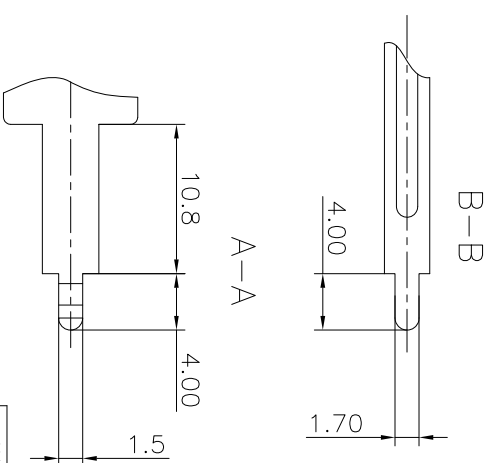


REV.	ECN NO.	MODIFIED MARK	APPROVED
A		FIRST RELEASE	



PCB LAYOUT  
TOP VIEW



- NOTES:
- ELECTRICAL:
- 1: RATED CURRENT: 0.2A Max.
  - 2: RATED VOLTAGE: 50V AC.
  - 3: CONTACT RESISTANCE: 30 MILLIOHMS Max.
  - 4: INSULATION RESISTANCE: 100 MEGAOHMS Min.
  - 5: DIELECTRIC WITHSTANDING VOLTAGE: 500 VAC Min.
- MECHANICAL:
- 1: INSERTION FORCE: 3N-30N.
  - 2: WITHDRAWAL FORCE: 3N-30N.
  - 3: DURABILITY: 100 CYCLES.
- ENVIRONMENTAL:
- TEMPERATURE RANGE: -20°C TO 60°C.

ANGLE	±5°	MODEL NAME: RCA-406B	<p>广东正宝科技有限公司 GUANGDONG TREMPRO TECHNOLOGY CO., LTD.</p>	<p>DESIGN: X.H.Wang 11/02'18</p> <p>CHECKED: L.W.Wu 11/02'18</p> <p>DWG NO.:</p>	<p>TITLE: RCA PIN JACK</p>	<p>UNIT: mm</p> <p>VIEW: </p> <p>SCALE: 5:1</p> <p>SHEET: 1/1</p>	<p>REV.: A</p>
63 < L	±0.5	(PART NO.)					
16 < L ≤ 63	±0.4						
4 < L ≤ 16	±0.3						
L ≤ 4	±0.2						
TOL TABLE:		MAT'L: See table					
		FINISH: See table					
		Q'TY: /					
		APPROVED: X.Q.Hu 11/02'18					

1 2 3 4 5 6 7 8

H G F E D C B A