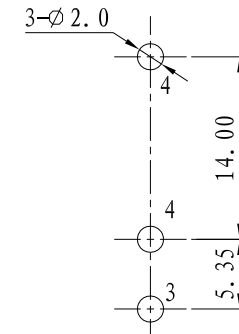


ALLOWANCE	
UNDER 3	± 0.1
3 TO 6	± 0.15
6 TO 15	± 0.2
15 TO 50	± 0.25
50 OVER	± 0.3

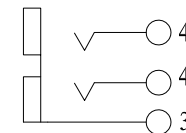
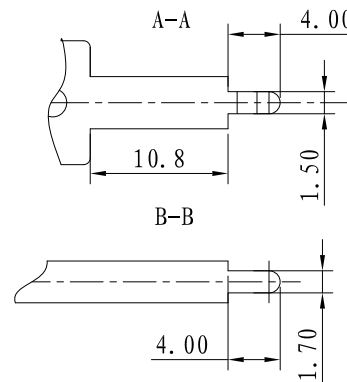


PCB LAYOUT
TOP VIEW

COLOR TABLE

CODE	A	B
COLOR	WHITE	RED

仅供参考



SCHEMATIC

5	COVER	ABS	1	BLACK
4	TERMINAL-A	BRASS t=0.5	2	CuSn PLATED
3	SOCKET	BRASS t=0.4	1	CuSn PLATED
2	WASHER	ABS	2	SEE COLOR TABLE
1	HOUSE	ABS	1	WHITE
NO:	PART NAME	MATERIAL	QTY	FINISHING

MODEL NO: RCA-206B	ALLOWANCE:	DRAWN BY: LXL 2017-2-6
TYPE: RCA JACK	UNIT: mm	CHECKED BY: WLW 2017-2-6
MATERIAL NO:	SCALE:	APPROVED BY: HXQ 2017-2-6
PROJECTION	ZWEE INDUSTRY (HK) CO., LIMITED	