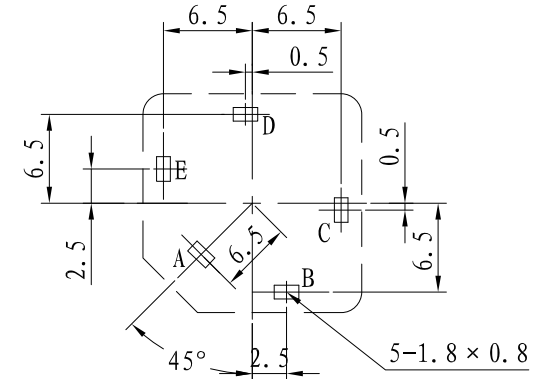
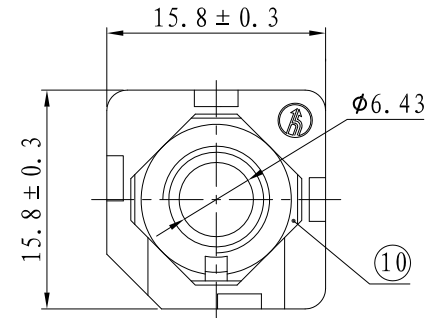
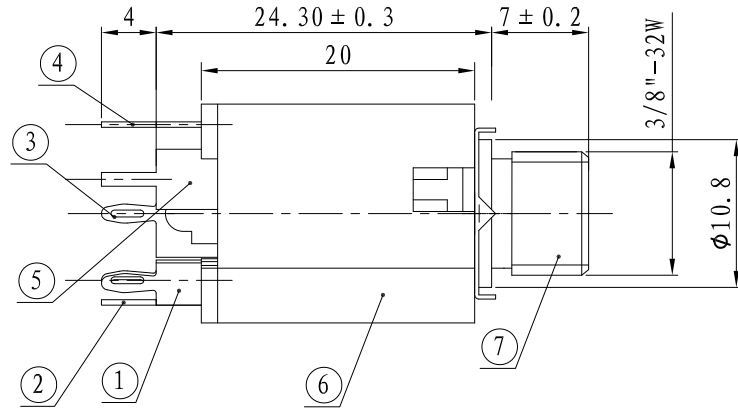


仅供参考

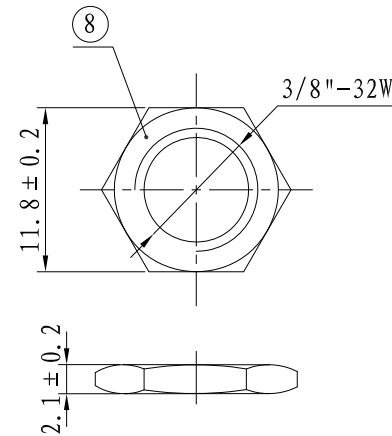
ALLOWANCE	
UNDER 3	± 0.1
3 TO 6	± 0.15
6 TO 15	± 0.2
15 TO 50	± 0.25
50 OVER	± 0.3



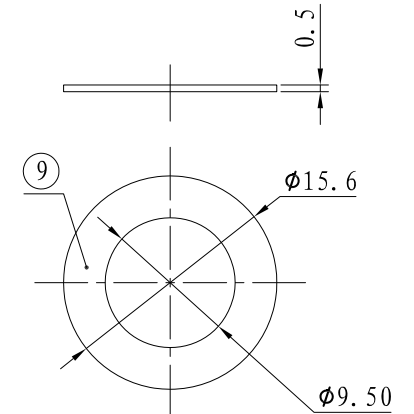
PCB LAYOUT
TOP VIEW

SCHEMATIC ↓

NO:	T	R	X	S	W	
	SJ6305D-5P	SJ6305D-3P DOUBLE SOUND TRACK	SJ6305D-3P SINGLE SOUND TRACK	SJ6305D-2P SINGLE SOUND TRACK	SJ6305D-4P DOUBLE SOUND TRACK	SJ6305D-4P SINGLE SOUND TRACK



NUT



WASHER-B

10	WASHER-B	STEEL t=0.3	1	Ni PLATED
9	WASHER-A	SPCC t=0.5	1	Ni PLATED
8	NUT	BRASS	1	Ni PLATED
7	SOCKET	BRASS	1	Ni PLATED
6	HOUSE	PBT	1	BLACK
5	TERMINAL-E	BRASS t=0.4	1	CuSn PLATED
4	TERMINAL-D	BRONZE t=0.4	1	CuSn PLATED
3	TERMINAL-C	BRONZE t=0.4	1	CuSn PLATED
2	TERMINAL-B	BRASS t=0.4	1	CuSn PLATED
1	TERMINAL-A	BRASS t=0.4	1	CuSn PLATED
NO:	PART NAME	MATERIAL	QTY	FINISHING

MODEL NO: SJ-6305D-5P	ALLOWANCE:	DRAWN BY: LZP 17.5.10
TYPE: 6.35 PHONE JACK	UNIT: mm	CHECKED BY: WLW 17.5.10
MATERIAL NO:	SCALE:	APPROVED BY: HXQ 17.5.10
PROJECTION		



ZWEE INDUSTRY(HK)CO.,LIMITED