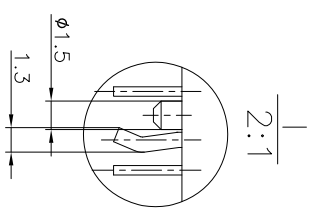
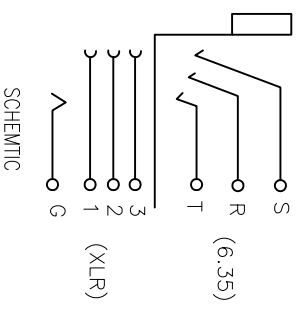
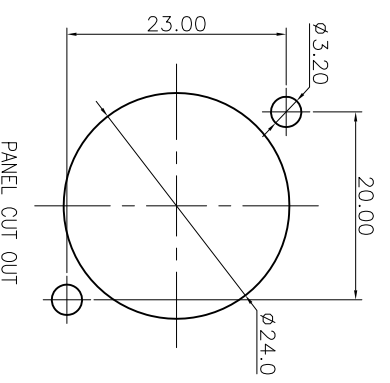
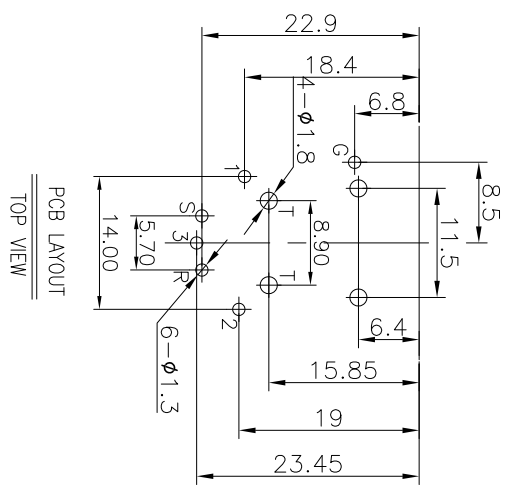
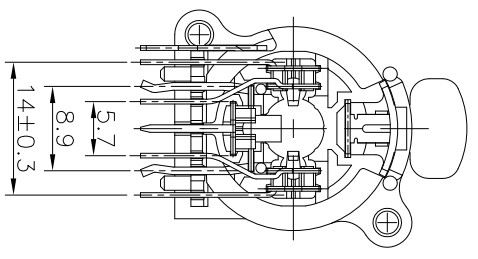
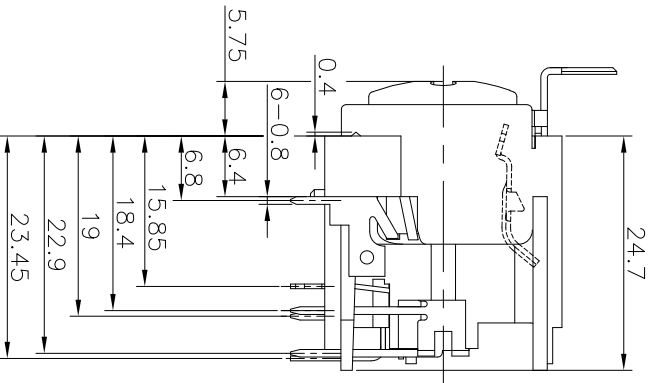
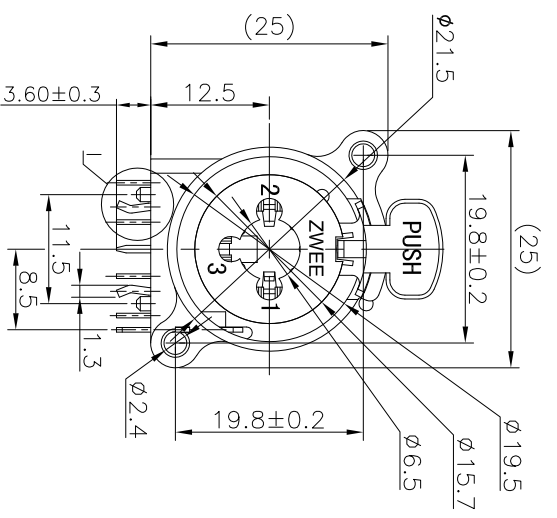


REV. A	ECN NO.	MODIFIED MARK	APPROVED
		FIRST RELEASE	



NOTES:

ELECTRICAL:

1:RATED CURRENT: 7.5 A MAX.

2:RATED VOLTAGE: 50 V AC.

3:CONTACT RESISTANCE: XLR: 30 MILLIOHMS MAX. JACK:30 MILLIOHMS

MAX.

4:INSULATION RESISTANCE: 1 G OHMS MIN.

5:DILECTRIC WITHSTANDING VOLTAGE: 500 VAC MIN.

MECHANICAL:

1:INSERTION FORCE: 5N~40N

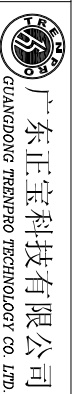
2:WITHDRAWAL FORCE: 5N~40N.

4:DURRABILITY: 1000 CYCLES.

ENVIRONMENTAL:

TEMPERATURE RANGE: -30°C TO 80°C.

ANGLE	±5°	MODEL NAME:	SPC-18A	
63 < L	±0.5	(PART NO.)		
16 < L ≤ 63	±0.4	DESIGN:	X.H.Wang 08/14'18	
4 < L ≤ 16	±0.3	CHECKED:	L.W.Wu 08/14'18	
L ≤ 4	±0.2	APPROVED:	X.Q.Hu 08/14'18	
TOL TABLE:				
THIS DOCUMENT IS THE PROPERTY OF TRENPRO TECHNOLOGY CO. LTD. NO PART THEREOF MAY BE REPRODUCED AND USED WITHOUT THE PRIOR WRITTEN CONSENT OF THE OWNER				
FINISH:	See table	DWG NO.:		
Q'TY: /	See table	TITLE:	XLR CABLE CONNECTORS	
VIEW:		SCALE:	5:1	
SHEET:	1/1	SIZE:	A3	
REV.:	A			



广东正宝科技有限公司
GUANGDONG TRENPRO TECHNOLOGY CO. LTD.