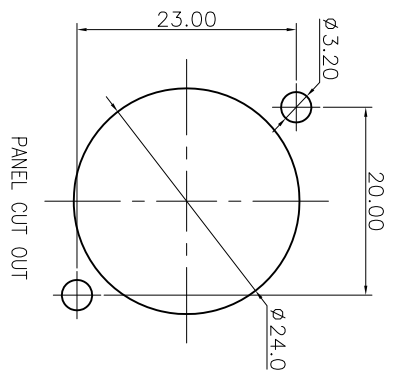
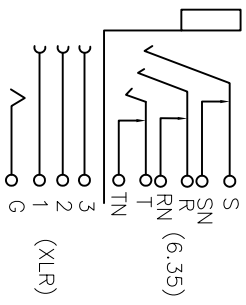
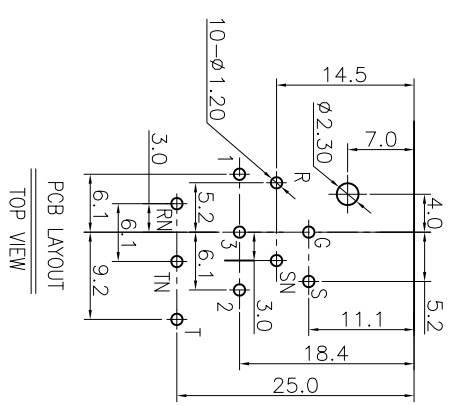
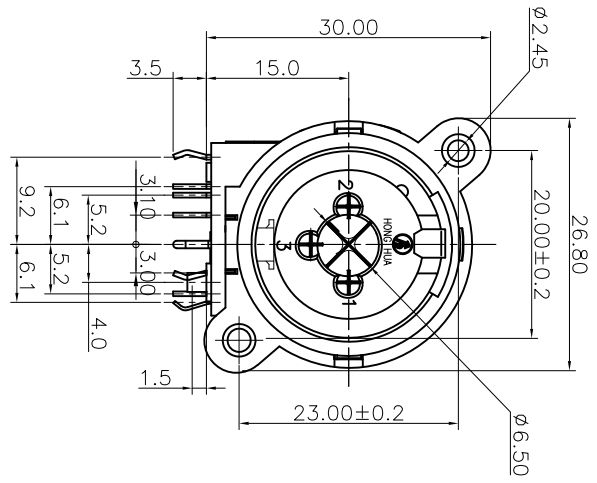
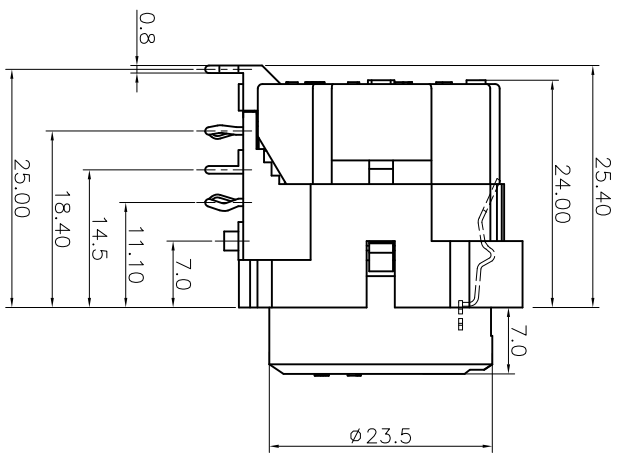


REV. A	ECN NO.	MODIFIED MARK	APPROVED
		FIRST RELEASE	



NOTES:

ELECTRICAL:

1:RATED CURRENT: 7.5 A MAX.

2:RATED VOLTAGE: 50 V AC.

3:CONTACT RESISTANCE: XLR:30 MILLIOHMS MAX. JACK:30 MILLIOHMS MAX.

4:INSULATION RESISTANCE: 1 G OHMS MIN.

5:DIELECTRIC WITHSTANDING VOLTAGE: 500 VAC MIN.

MECHANICAL:

1:INSERTION FORCE: 5N~40N

2:WITHDRAWAL FORCE: 5N~40N.

4:DURABILITY: 1000 CYCLES.

ENVIRONMENTAL:

TEMPERATURE RANGE: -30°C TO 80°C.

ANGLE	±5°
63 < L	±0.5
16 < L ≤ 63	±0.4
4 < L ≤ 16	±0.3
L ≤ 4	±0.2

TOL TABLE:		THIS DOCUMENT IS THE PROPERTY OF TRENDPRO TECHNOLOGY CO., LTD. NO PART THEREOF MAY BE REPRODUCED AND USED WITHOUT THE PRIOR WRITTEN CONSENT OF THE OWNER	
MODEL NAME:	SPC-16C-10P	DESIGN:	X.H.Wang 08/14'18
(PART NO.)		CHECKED:	L.W.Wu 08/14'18
MAT'L:	See table	TITLE:	XLR CABLE CONNECTORS
FINISH:	See table	DWG NO.:	
Q'Ty: /		APPROVED:	X.Q.Hu 08/14'18
		UNIT:	mm
		VIEW:	
		SCALE:	5:1
		SHEET:	1/1
		SIZE:	A3
		REV.:	A

广东正宝科技有限公司
GUANGDONG TRENDPRO TECHNOLOGY CO., LTD.