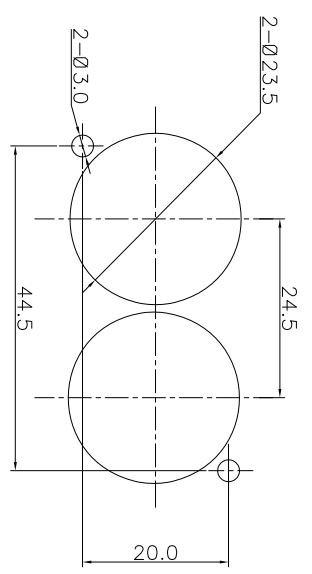
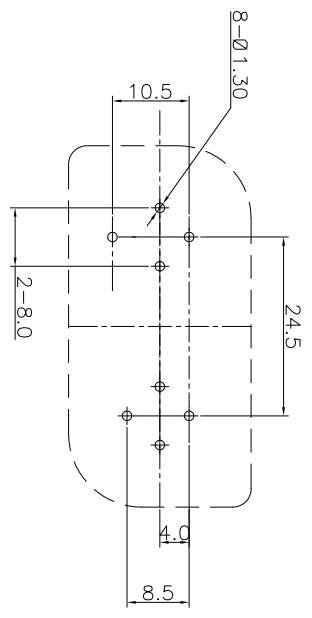
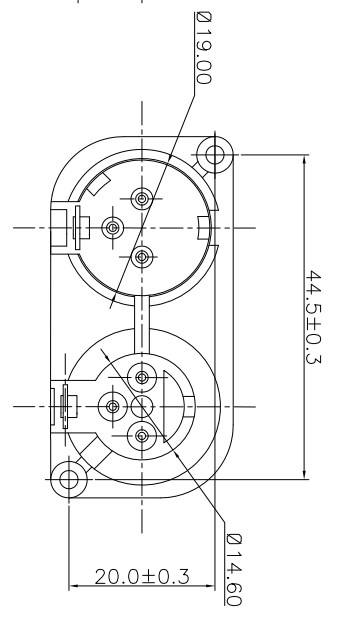
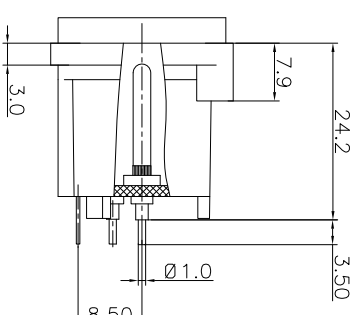
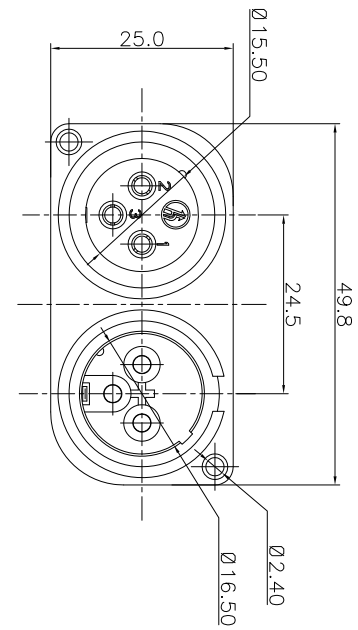
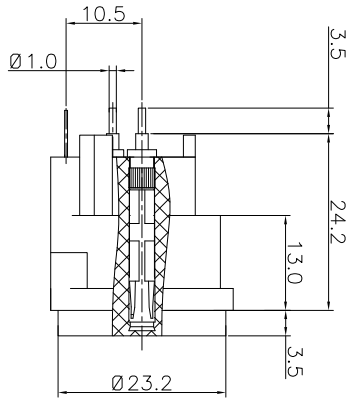


|      |         |               |          |
|------|---------|---------------|----------|
| REV. | ECN NO. | MODIFIED MARK | APPROVED |
| A    |         | FIRST RELEASE |          |



NOTES:  
 ELECTRICAL:  
 1: RATED CURRENT: 6A Max.  
 2: RATED VOLTAGE: 50V AC.  
 3: CONTACT RESISTANCE: 30 MILLIOHMS Max.  
 AFTER TESTING: 60 MILLIOHMS Max.  
 4: INSULATION RESISTANCE: 1G OHMS Min.  
 5: DIELECTRIC WITHSTANDING VOLTAGE: 500 VAC Min.  
 MECHANICAL:  
 1: INSERTION FORCE: 5N-40N.  
 2: WITHDRAWAL FORCE: 5N-40N.  
 3: DURABILITY: 1000 CYCLES.  
 ENVIRONMENTAL:  
 TEMPERATURE RANGE: -30°C TO 80°C.

PCB LAYOUT  
TOP VIEW

PANEL CUT OUT

| ANGLE       | ±5°  |
|-------------|------|
| 63 < L      | ±0.5 |
| 16 < L ≤ 63 | ±0.4 |
| 4 < L ≤ 16  | ±0.3 |
| L ≤ 4       | ±0.2 |

|                                   |  |                             |  |
|-----------------------------------|--|-----------------------------|--|
| MODEL NAME: SPC-10A<br>(PART NO.) |  | TITLE: XLR CABLE CONNECTORS |  |
| DESIGN: X.H.Wang 09/19'18         |  | DWG NO.:                    |  |
| FINISH: See table                 |  | REV: A                      |  |
| QTY: /                            |  | UNIT: mm                    |  |
| APPROVED: X.Q.Hu 09/19'18         |  | SCALE: 5:1                  |  |
| SHEET: 1/1                        |  | SIZE: A3                    |  |

广东正宝科技有限公司  
GUANGDONG TRENPPO TECHNOLOGY CO., LTD.

TOL TABLE:  
 THIS DOCUMENT IS THE PROPERTY OF  
 TRENPPO TECHNOLOGY CO., LTD.  
 NO PART HEREOF MAY BE REPRODUCED  
 AND USED WITHOUT THE PRIOR WRITTEN  
 CONSENT OF THE OWNER