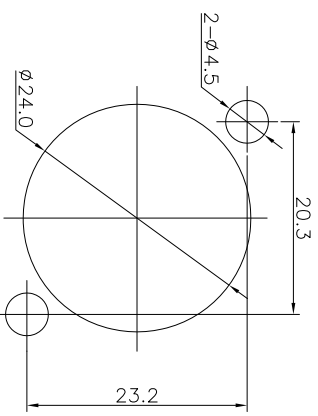
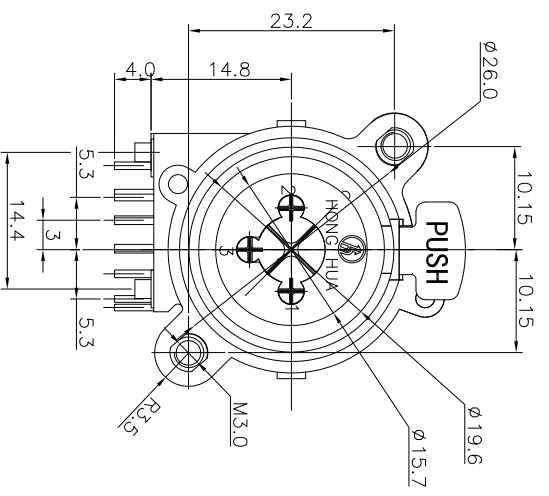
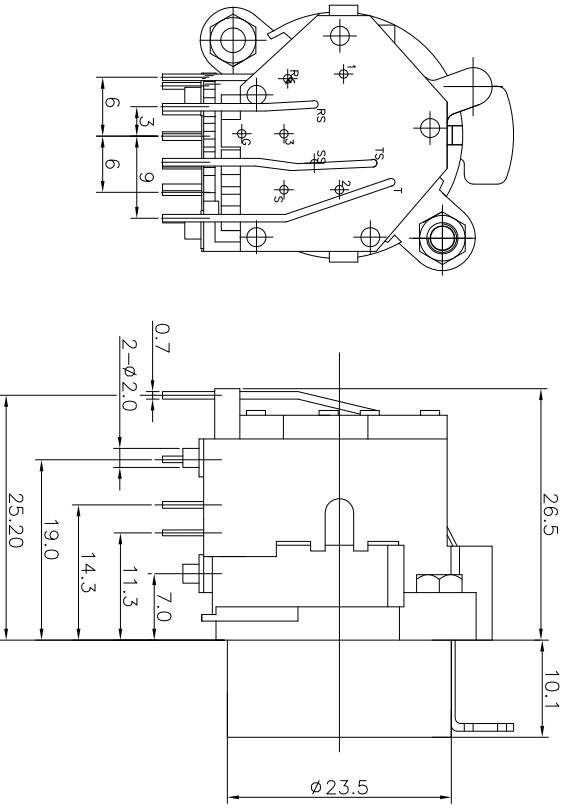
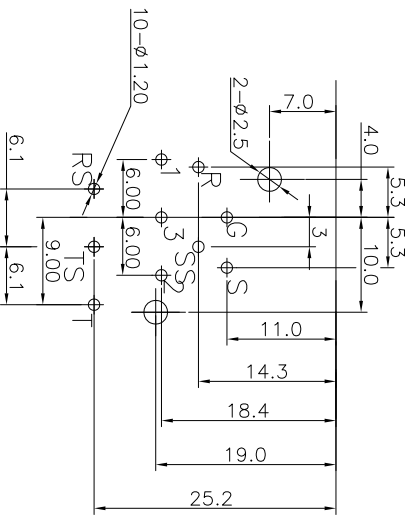


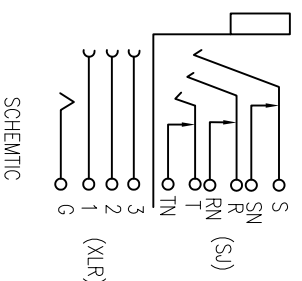
REV.	ECN NO.	MODIFIED MARK	APPROVED
A		FIRST RELEASE	



PANEL CUT OUT



PCB LAYOUT  
TOP VIEW



SCHEMATIC

- NOTES:
- ELECTRICAL:
- 1: RATED CURRENT: 7.5 A MAX.
  - 2: RATED VOLTAGE: 50 V AC.
  - 3: CONTACT RESISTANCE: XLR: 30 MILLIOHMS MAX. JACK: 30 MILLIOHMS MAX.
  - 4: INSULATION RESISTANCE: 1 G OHMS MIN.
  - 5: DIELECTRIC WITHSTANDING VOLTAGE: 500 VAC MIN.
- MECHANICAL:
- 1: INSERTION FORCE: 5N~40N
  - 2: WITHDRAWAL FORCE: 5N~40N.
  - 4: DURRABILITY: 1000 CYCLES.
- ENVIRONMENTAL:
- TEMPERATURE RANGE: -30°C TO 80°C.

ANGLE	±5°
63 < L	±0.5
16 < L ≤ 63	±0.4
4 < L ≤ 16	±0.3
L ≤ 4	±0.2

MODEL NAME: SPC-04A-10P  
(PART NO.)

**广东正宝科技有限公司**  
GUANGDONG TRENPPO TECHNOLOGY CO., LTD.

DESIGN: X.H.Wang 09/19'18

CHECKED: L.W.Wu 09/19'18

DWG NO.:

TITLE: XLR CABLE CONNECTORS

REV: A

MAT'L: See table

FINISH: See table

Q'TY: /

APPROVED: X.Q.Hu 09/19'18

UNIT: mm

VIEW:

SCALE: 5:1

SHEET: 1/1

SIZE: A3

TOL TABLE:

THIS DOCUMENT IS THE PROPERTY OF TRENPPO TECHNOLOGY CO., LTD. NO PART THEREOF MAY BE REPRODUCED AND USED WITHOUT THE PRIOR WRITTEN CONSENT OF THE OWNER